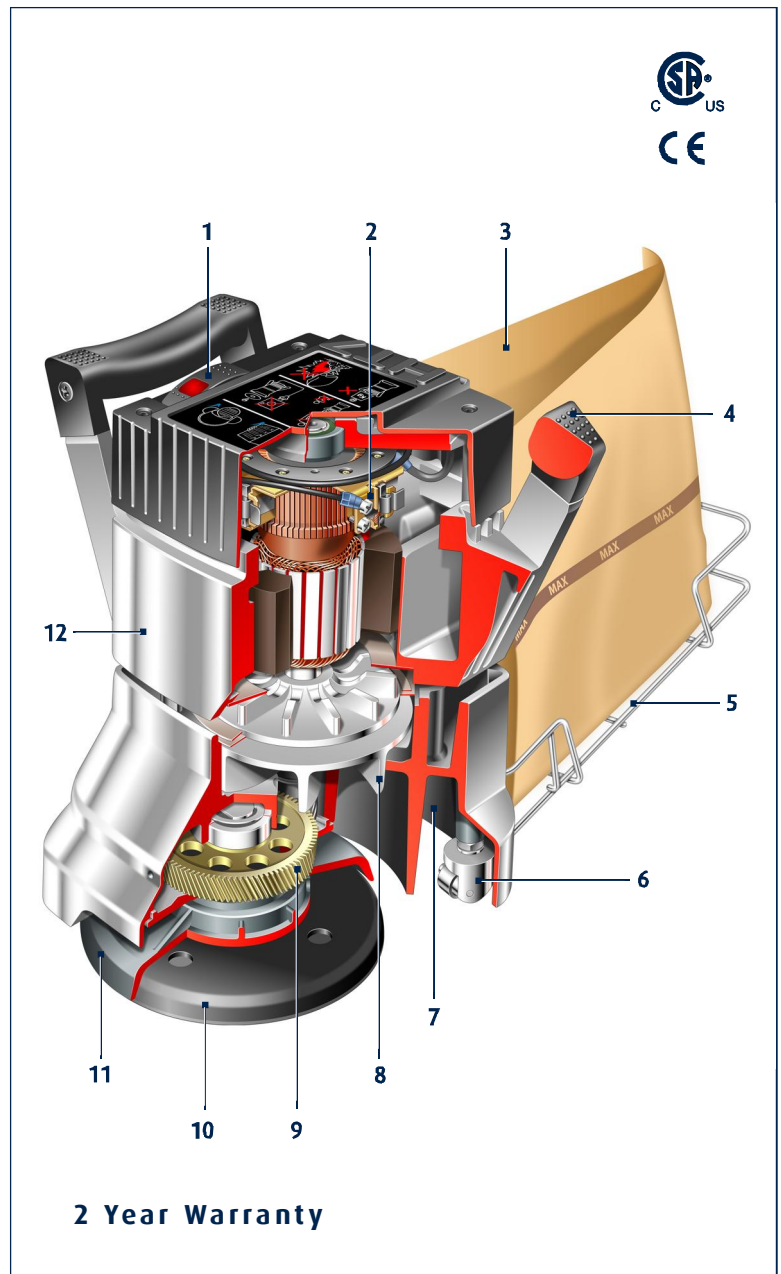


HT7 Key Design Features

1. Biased off switch with power connected indicator light, prevents the HT7 from accidental start-up protecting operator and property.
2. Precision moulded brush block with brass brush holders and constant force brush springs.
3. Optional disposable paper bags for efficient and safe dust collection. Manufactured from recycled materials, Hiretech disposable paper dust bags are the environmentally friendly way to handle and dispose of the dust created during the sanding process.
4. Economic handle design minimises fatigue when used over extended periods of time. Handles securely support the HT7 in an upside-down position for easy changing of abrasive discs.
5. Dust bag support folds upright to provide cable storage. 7m (23') power cable with non-marking outer insulation prevents marking of newly sanded floor.
6. Wheel castors allow HT7 to glide effortlessly across floor surface allowing easy changes in direction.
7. Storage for sanding pad wrench.
8. High powered vacuum system, with seated oversized wide bladed alloy vacuum fan.
9. Hardened steel alloy pinion and large diameter aluminium bronze drive gear that will not slip or stall.
10. Hiretech's unique dynamically balanced metal backed sanding pad provides superb feel and touch and consistent sanding performance on all floor types and conditions.
11. ABS disc guard freely rotates against base boards and skirting preventing damage and protects the sanding pad.
12. Polished aluminium alloy body.



Technical Specifications

Product Codes	: 07003 (220/250V), 07004 (110/120V)
Off Load Current	: 220/250V = 6A, 110/120V = 8A
Av. Load Current	: 220/250V = 9A, 110/120V = 15A
Switch	: Biased off, power indicator light.
Motor RPM	: 13,000
Disc RPM	: 3,300 (off load)
Sanding Pad	: 178mm (7")
Abrasive	: 178mm x 22mm dia centre hole P16 to P120
Weight Net	: 16.4kg (36.2lbs)
For detailed technical specifications see page 19	

