

STEAM WALLPAPER STRIPPER MODEL HTW-5



PRINTED IN THE UK

OWNERS MANUAL & OPERATING INSTRUCTIONS

NORTH AMERICAN SAFETY INSTRUCTIONS



WARNING: *This steam wallpaper stripping machine must be grounded.*

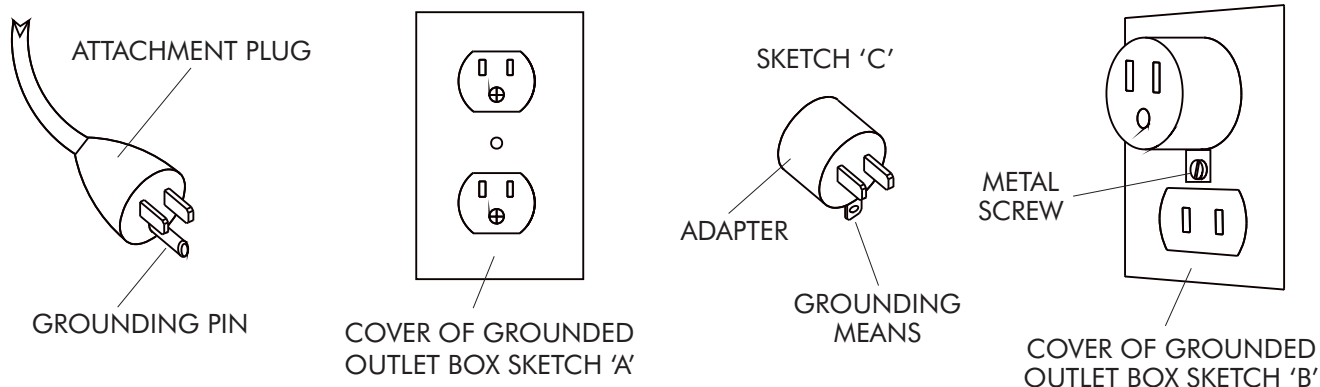
This steam wallpaper stripping machine shall be grounded while in use to protect the operator from electric shock. The machine is provided with a three-conductor cord and a moulded three-contact grounding type attachment plug to fit the proper grounding type receptacle. The Green (or Green and Yellow) conductor in the cord is the grounding wire. Never connect this wire to other than the grounding pin of the attachment plug.

This steam wallpaper stripping machine is provided with an attachment plug as shown in sketch A. It is intended for use on a nominal 120 volt circuit. If a properly grounded receptacle as shown in sketch A is not available, an adaptor as shown in sketch 'C' should be installed as shown in sketch B if the outlet box that houses the receptacle is grounded. Be sure to fasten the grounding tab with a metal faceplate screw.



WARNING: *Steam under pressure and hot surfaces.*

DO NOT remove or tamper with the steam cap when in operation. If a fault occurs allow steam stripper to cool for a minimum of 2 minutes. Follow instructions detailed in this manual for fitting and removing the steam cap.



This manual covers machines starting from the following serial numbers;

84264 (220/240 Volt) (excluding North America)

84258 (110/120 Volt) (excluding North America)

75154 (110/120 Volt) (North America)

CONTENTS

WARNING	i
MAINS CABLE WIRING - PLUG	i
SPARE PARTS	i
SPECIFICATION	1
SAFETY	1
OPERATION	1,2
STRIPPING TECHNIQUE	2
OPERATING HINTS	2
MAINTENANCE AND SERVICING	2
FAULT FINDING	3
HTW-5 PARTS DRAWING (excluding North America)	4
HTW-5 PARTS DRAWING (North America only)	5
HTW-5 PARTS LIST	6
HTW-5 CIRCUIT DIAGRAMS	7

DECLARATION OF CONFORMITY	7
SERVICE & REPAIR	8
DEALER LIST	9

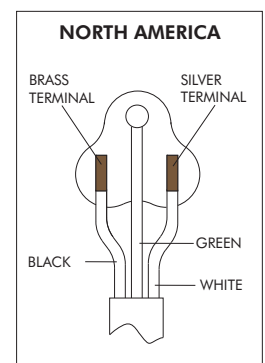
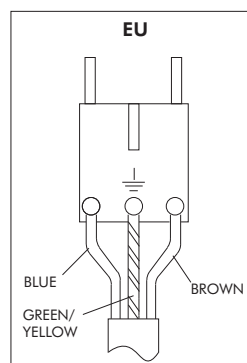
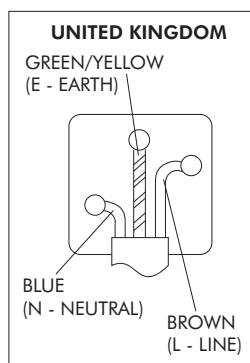
WARNING

For safe operation of this machine, read and understand all instructions. Look for the 'warning/caution' symbol.



This symbol means that if you do not follow the instructions injury can occur to the operator and damage to the machine and work surface may result.

MAINS CABLE WIRING - PLUG



SPARE PARTS

Use Hiretech[®] genuine spare parts only for service and repair. Use of non-approved parts will void the product warranty. See the back cover of this manual for the terms and conditions of the Hiretech[®] Limited Warranty.

Hiretech[®] reserves the right to make changes or improvements to its products without prior notice.

SPECIFICATION

The Hiretech® Steam Team® Steam Stripper will remove multiple layers of wallpaper and painted Anaglypta, foils and flocks, also papers covered in paint, distemper or varnish.

Power Supply: 110/120 V~ or 220/250 V~
Check data plate.

Heater Element: 1.4/1.6 kw or 2.2/2.5 kw.

Water Tank: 7 litres (1.5 gallons) capacity.

Weight Dry: 7.5 kg (16.5lbs).



CAUTION: Read the following Safety and Operational notes before using your Steam Team® Steam Stripper.

SAFETY

1. For your safety it is recommended that a residual current circuit breaker (ground fault interrupter) is used with this product.
2. Ensure the electrical supply conforms to that detailed on data label of this product. If in doubt consult a qualified electrician. The supply cable must be earthed.
3. The steam generated by this product is DANGEROUS. Keep children well away from work site.
4. Ensure the steam hose is sound and securely fitted before use and that it is not kinked or becomes kinked or flattened in use.
5. NEVER remove filler cap on the steam tank when the steam stripper is in operation or attempt to adjust or tighten it if steam is seen to be escaping from around the filler cap area. Disconnect from power supply, allow to cool for a MINIMUM OF 2 MINUTES then check and refit the cap.
6. DO NOT attempt to move the steam stripper to a new work site unless the power has been disconnected and the machine has been allowed to cool for a MINIMUM OF 5 MINUTES. To move the steam stripper to a new work site lift by steam plate rails only.
7. Ensure adequate ventilation of work site.
8. Use clean WATER only to fill the steam tank.
9. NEVER operate the steam stripper without water.
10. Always disconnect from the power supply before filling with water or when not in use.
11. Take care when stripping paper from ceilings, hot water may run from the steam plate.

12. DO NOT use a power socket directly below the area being stripped. Take precautions to prevent water entering power sockets and light switches.
13. The power cable and steam hose must be maintained in good condition.
14. Operate the steam stripper on a level surface DO NOT use this product as a step.

OPERATION

1. Set up by clearing furniture from the work area. Prepare for slight spillage, carpets and floors must be protected. Roll carpets back or protect with plastic sheet and dust sheet. Layout tools required ready to start work.
2. Place steam stripper on floor or stable level work surface near to the area to be stripped. Remove the steam plate and lay out the steam hose and power lead. DO NOT plug into power supply.
3. Remove the filler cap (see 11) and fill water tank with clean hot or cold tap water to a maximum of 5cm (2") from top of tank. DO NOT over fill or cover rubber safety valve located at the base of the tank filling neck.
4. Replace the filler cap ensuring a correct fit. NEVER force or attempt to over tighten the filler cap (see 11).
5. Place the steam plate face up on the floor or work surface which should be protected from condensation when steam is first produced. Alternatively place steam plate in a bucket or large plastic container ready to collect water which will have condensed from the steam in the steam plate.
6. Plug in to a suitable power supply. The steam stripper will switch itself on automatically. Allow the steam stripper to heat the water until it turns to steam, 10 to 30 minutes.
7. When steady jets of steam are produced the steam stripper is ready to use. Lift the steam plate above the steam stripper this will allow water condensed in the steam hose from the steam to run back into the water tank.
8. Now begin stripping (see Stripping Technique). Continue using the steam stripper until the steam stops, about 60 to 80 minutes. When the steam stops the steam stripper is ready to be refilled. The steam stripper will switch off automatically when a low water level is reached. Of course you can stop when ever you wish, just disconnect from the power supply to switch off.

9. Refilling - DISCONNECT power supply and then allow the steam stripper to cool down for a MINIMUM OF 2 MINUTES.
10. ENSURE that the steam outlet holes in the steam plate are clear and that the steam hose is not kinked or flattened otherwise steam pressure in the water tank will be maintained for a long period.
11. The filler cap will be HOT, use a glove and do not stand directly over the steam stripper when removing it. Remove the cap at arms length. Lift the filler cap lever and wait for excess steam to vent. Then turn the cap anti-clockwise a QUARTER of a turn only. If steam continues to escape wait until it stops. ONLY THEN push down the filler cap against spring pressure and turn anti-clockwise a further quarter turn and pull up gently to remove. To refit cap push down against spring pressure and turn clockwise approximately half a turn to stop position. Lower filler cap lever to lock.
12. On finishing stripping allow the steam stripper to continue to run until it switches off automatically. Use a suitable container to catch the steam as it condenses to water. When the steam stripper switches off DISCONNECT power supply. Before the steam stripper cools completely carefully wipe down the body, steam hose and steam plate to clean.
13. Now allow the steam stripper to cool completely, carefully store the steam hose and cable and replace the steam plate. If work is completed and the steam stripper is to be stored prepare the machine as detailed in Maintenance and Servicing.

STRIPPING TECHNIQUE

1. To help steam to penetrate more quickly and speed up stripping perforate the wallpaper covering with a Hiretech HTP-2 Wallpaper Perforator. This is important where papers are in multiple layers, painted over or are a vinyl type. To save even more time perforate the covering while waiting for the steam stripper to produce steam.
2. Start at the top of the wall and work across and down-wards. Place the steam plate against the surface of the covering to be stripped.
3. Wait about 15 seconds, then move the steam plate across the wall to the next area slightly over lapping the area just steamed.
4. Loosen the edge of the covering with a stripping knife. A broad blade stripping knife is recommended for best results. If the covering is difficult to strip allow a little longer to steam, you

will quickly learn how long you need to steam the wallpaper to make it easy to strip.

5. Using the stripping knife in a downwards direction at a 45° angle towards the steam plate, begin to strip the covering from the top of the wall and downwards all the time moving the steam plate ahead of the area just stripped.
6. During stripping steam will be collecting in the trough at the bottom of the steam plate and condensing into water, which should be drained away from time to time.
7. On completion of stripping the wall or ceiling surface should be washed down to remove any remaining pieces of covering and glue.

OPERATING HINTS

1. Care should be taken to check the condition of the surface to be stripped. Should plaster on the wall be loose, it is probable that when the covering is removed the plaster or parts will come away. Check by gently tapping the wall all over, a hollow sound will indicate that the plaster is loose. In such circumstances repairs should be made.
2. Clean the steam stripper while it is still warm to the touch. When cold any pieces of paper stuck to the steam stripper will be difficult to remove.
3. When not in use ensure that the steam stripper is empty and dry. Always store in a dry place.

MAINTENANCE AND SERVICING

1. On completion of work allow the steam stripper to cool completely for a MINIMUM OF 4 HOURS. Remove the steam cap, turn the machine over and drain off remaining water by depressing the rubber safety valve located at the base of the tank filler neck. Replace cap, wipe down body and replace the steam hose, cable and steam plate. Store in a dry place.

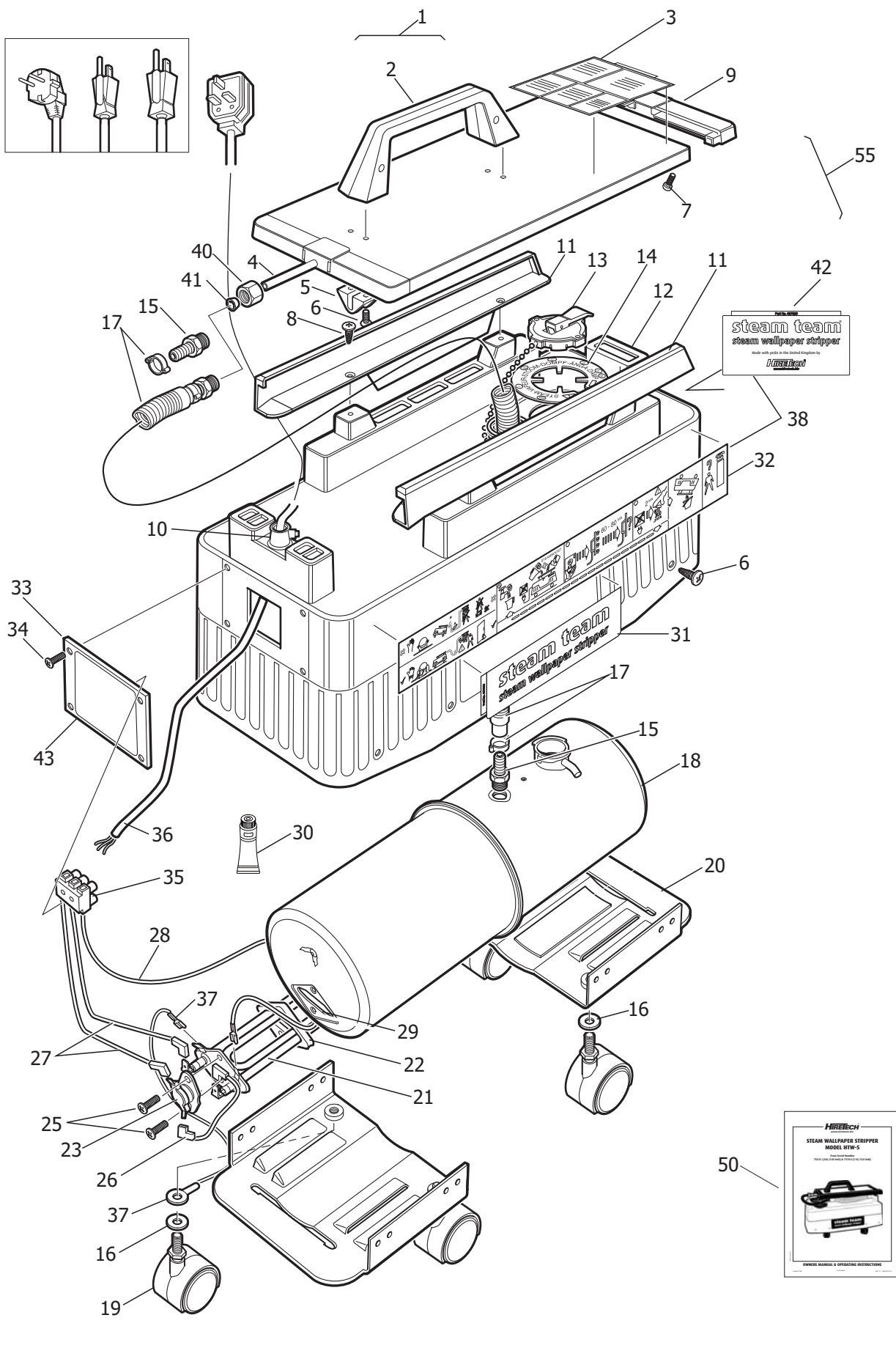
IMPORTANT. The filler cap and filler neck must be maintained in good condition. Inspect both regularly and ensure that the filler cap locates properly and that both cap and filler neck are not worn or damaged in any way. If damage is noted do not use the steam stripper under any circumstances, return it to you dealer for service.

FAULT FINDING

<p>FAULT</p> <p>Machine does not heat up</p> <p>ACTION</p> <p>Check power supply and fuse in plug. If fuse blows more than once return your steam stripper to nearest dealer for service.</p>	<p>FAULT</p> <p>Machine overheats.</p> <p>ACTION</p> <p>Check machine is on a level surface. If fault continues return to dealer for service.</p>
<p>FAULT</p> <p>Steam escaping from filler cap.</p> <p>ACTION</p> <p>Switch off and allow to cool for a MINIMUM OF 2 MINUTES. Using a glove and at arms length carefully remove the filler cap. Inspect the filler cap and filler neck for signs of damage or dirt. If problem persists return machine to dealer for service.</p> <p>On no account attempt to adjust or tighten the filler cap when the machine is switched on and steam pressure remains.</p>	<p>FAULT</p> <p>Escape of water and/or steam from below machine as steam stripper heats up - safety vent.</p> <p>ACTION</p> <p>Machine has been over filled. Avoid over filling.</p> <p>CAUTION Carpets and flooring should be protected to avoid damage as water and liquids are present at all times during stripping.</p>
<p>FAULT</p> <p>Steam stops prematurely (could be accompanied by an escape of steam from below machine - safety vent).</p> <p>ACTION</p> <p>CAUTION steam hose or steam outlets could be blocked. Disconnect from power supply. First check to see if hose is kinked or flattened. If not proceed with caution. Allow the machine to cool for a MINIMUM OF 2 HOURS to allow steam pressure to drop. Remove filler cap using gloves at arms length.</p> <p>If cause can not be found return the machine to nearest dealer for service.</p>	
<p>FAULT</p> <p>Filler cap rotates past 'stop' position.</p> <p>ACTION</p> <p>CAUTION Do not use machine, return to nearest dealer for service</p>	

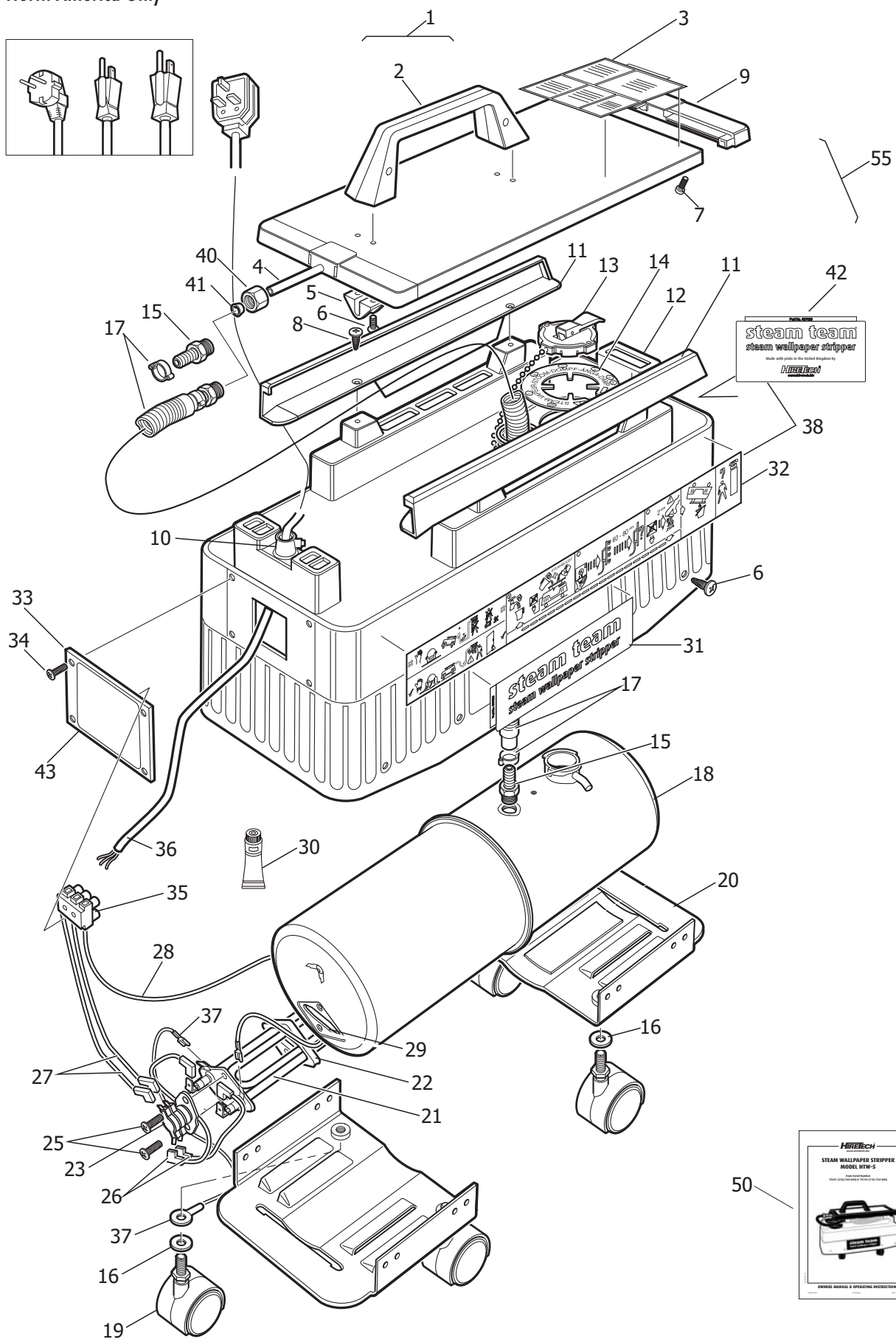
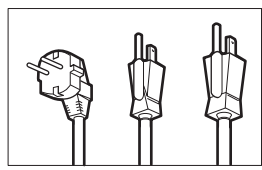
STEAM WALLPAPER STRIPPER HTW-5 (excluding North America)

All markets excluding North America



STEAM WALLPAPER STRIPPER HTW-5 (North America only)

North America Only

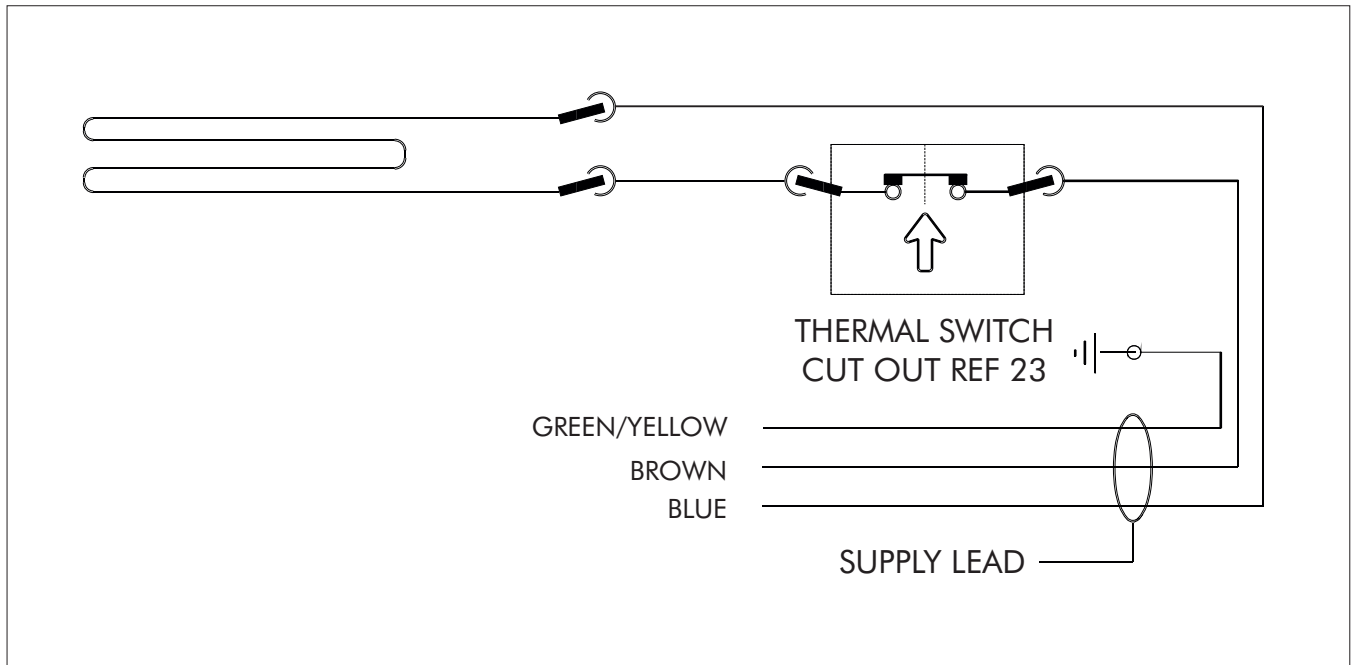


STEAM WALLAPER STRIPPER HTW-5

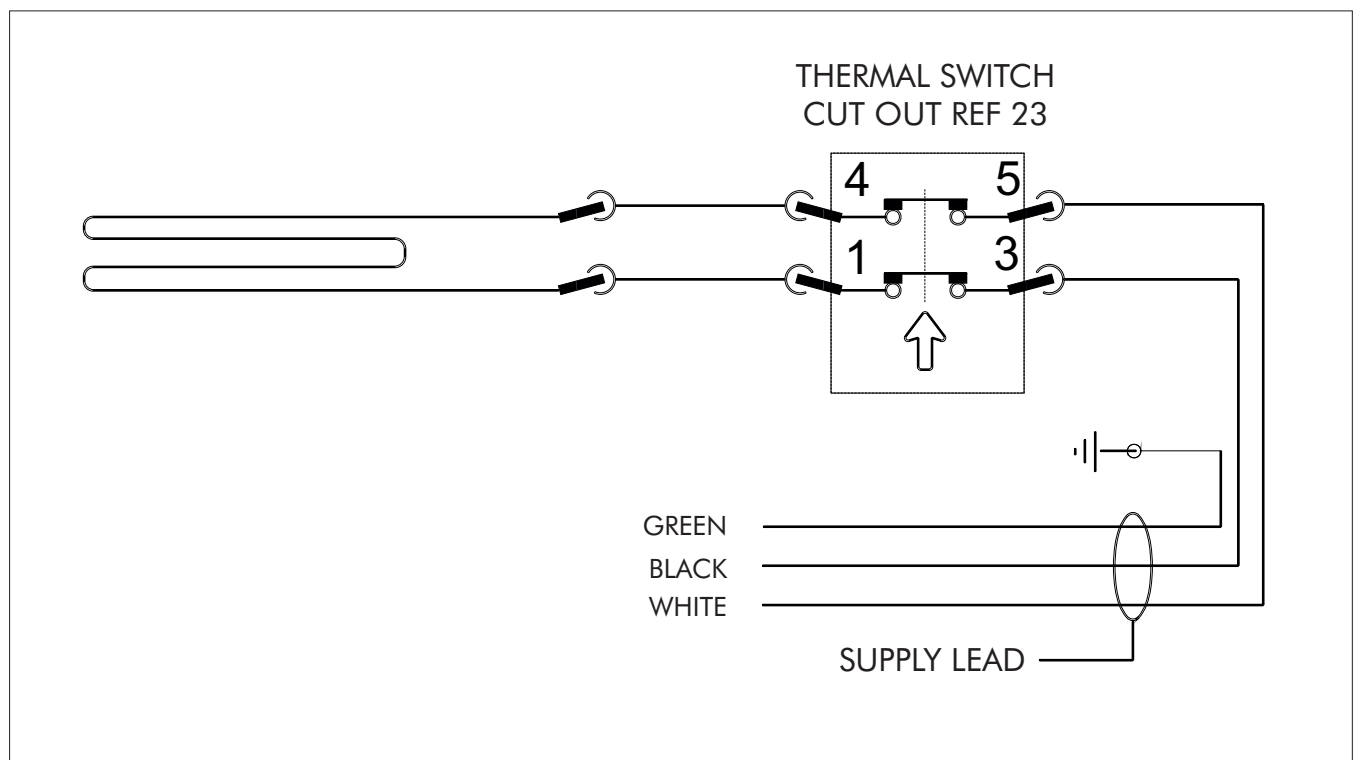
Ref.	PSTK	Pack Qty.	Description	
1	007613	1	Steam Plate Complete	Consumables (not illustrated) 007625 1 Carton Transit
2	007609	1	Handle Assembly	
3	007610	1	Label Steam Plate	
4	007611	1	Tube Steam Plate	
5	007612	2	Bracket Steam Tube	
6	007642	12	Screw	
7	007614	4	Rivet	
8	007645	4	Screw	
9	007636	2	End Caps Steam Plate	
10	007721	1	Strain Relief	
11	007950	2	Rail Steam Plate Kit	
12	007708	1	Cover Tank Assembly	
13	007884	1	Cap Filler and Chain	
14	007685	1	Label Steam Warning	
15	007655	1	Swivel Set	
16	007623	4	Spacer Castor	
17	007661	1	Hose Assembly	
18	007654	1	Tank Assembly	
19	007624	4	Castor	
20	007683	2	Castor Bracket	
21	007632	1	Heater Element 110/120 Volt	
21	007682	1	Heater Element 220/240 Volt	
22	007637	1	Seal Heater	
23	007872	1	Cut Out Single Pole (excluding North America)	
23	007873	1	Cut Out Double Pole (North America only)	
23	007638	1	Cut Out Kit Single Pole (excluding North America)	
25	007640	2	Screw	
26	007662	2	Lead Cut Out Heater	
27	007702	2	Lead Connector Block Cut Out	
28	007880	1	Lead Connector Block Tank Earth	
29	007881	1	Lead Tank/Heater Earth	
30	007633	1	Heat Sink Compound	
31	007626	2	Label Product Name	
31	007689	1	Label End Product Name	
32	007876	2	Label Instructions	
33	007700	1	Cover Access	
34	007701	4	Screw	
35	007705	1	Connector Block	
36	007711	1	Lead Mains 240 Volt (UK)	
36	007712	1	Lead Mains 110 Volt (UK)	
36	007713	1	Lead Mains 220 Volt (EEC)	
36	007714	1	Leads Main 110 Volt (NA)	
36	007715	1	Lead Mains 240 Volt (AUS)	
37	007710	1	Lead Heater Earth	
38	007507	1	Label Set	
40	007686	1	Nut Swivel	
41	007697	1	Olive Swivel	
43	007709	1	Data Plate 220/240 Volt	
43	007907	1	Data Plate 110 Volt (UK)	
50	007716	1	Owners Manual & Operating Instructions	
55	007965	1	Steam Plate & Rail Kit Complete	

HTW-5 CIRCUIT DIAGRAM

Circuit Diagram for all markets excluding North America (single pole)



Circuit Diagram for North America only (double pole)



DECLARATION OF CONFORMITY

This declaration identifies the product, manufacturer's name and address, and applicable specifications recognised in the European community.

DECLARATION OF CONFORMITY



Manufacturer's Name: Hire Technicians Group Ltd.

Manufacturer's Address: Chalk Hill House
8 Chalk Hill
Watford
Herts WD1 4BH

declares that the product:

Product Name: Steam Team Steam Wallpaper Stripper

Model Name: HTW-5 230 Volt 50Hz Insulation Class 1
HTW-5 110 Volt 50Hz Insulation Class 1

conforms to the following:

Low Voltage Directive (Harmonised)	73/23/EU as amended
Electromagnetic Compatibility Directive	89/336/EU as amended

following the provisions of the directives:

89/392/EU, 93/44EU, 73/23/EU, 93/68/EU, 89/336/EU, 91/368/EU,
92/31/EU

harmonised standards applied:

EN60 335-1-88 (BS 3456-201)	EN292-2-91
EN292-1-91	EN60 335-1-15
EN 50082-1-92	EN55014-93 (BS 800)

approvals held:

North America - CSA LR 65239

electrical safety test procedures comply with:

IEC 335 pt. 1-2, HD251 1-3 1982, BS 3456-201, CSA C22.2,
KEMA K78A1/W1 & W3, NEMKO 503./89, DIN VDE 0700 1/04.88
HD 264.S2 15/07.86, UL 561

Where the product is licensed to carry a National Approval Mark it is certified that all such products comply with the terms of that license.

C.J. Hedger, Director of Engineering. 1 April 2012

SERVICE & REPAIR

Contact your reseller for the name of your local service agent. Service and repairs undertaken by non-approved service agents will void the product warranty. If you should have difficulty in obtaining service please contact your distributor nearest to you at the address given below.

For the latest list of Hiretech dealers check on the Hiretech web site at www.hiretech.biz/contact/dealerlist.html.

Name	Address	Telephone, Facsimile, Email & Web	
Hiretech Pty Ltd	11 Government House Drive Emu Plains NSW 2750 AUSTRALIA	Tel: Fax: Email: Web:	+61 247 356688 +61 247 356682 enquires@hiretech.com.au www.hiretech.com.au
Devomat Industries N.V.	FL. Geversstraat 31 B-2650 Edegem BELGIUM	Tel: Fax: Email: Web:	+32 3 457 94 24 +32 3 457 94 24 info@devomat.be www.devomat.com
Abmast Inc (Canada East)	6935 Rue Picard Saint-Hyacinthe QC J2S 1H3 CANADA	Tel: Fax: Email: Web:	(800) 361-0854 (800) 341 0554 asimard@abmast.com www.abmast.com
M.S. Sales Ltd (Canada West)	4032 McConnell Drive Burnaby BC V5A 2A8 CANADA	Tel: Fax: Email:	(800) 451-2537 (800) 665-0597 felixms@telus.net
S T C as Praha	Konevova 33 130 00 Praha 3 CZECH REPUBLIC	Tel: Fax: Email:	+ 4202 22585810 +42 02 22584421 ruzena.muzikantova@stcnet.cz
Tool Matic A/S	Vedskollevej Herfolge 4681 DENMARK	Tel: Fax: Email: Web:	+45 56250708 +45 56250705 sales@tool-matic.dk www.tool-matic.dk
VIF Diffusion	rue du Chateau-BP70112 59052 Roubaix Cedex 1 FRANCE	Tel: Fax: Email:	+33 320 207880 +33 320 207889 infos@vif-furniture.com
Tucks Limited	Hume Avenue Park West Industrial Estate Dublin 12 REPUBLIC OF IRELAND	Tel: Fax: Email: Web:	+353 (01) 621 5555 +353 (01) 621 5563 info@tucks.ie www.tucks.ie
Turner Morris (Pty) Ltd	39 Robyn Road Benrose P.O. Box 27252 2011 SOUTH AFRICA	Tel: Fax: Email: Web:	+27 11 618 4313 +27 11 618 2620 dbnsales@turnermorris.co.za www.turnermorris.co.za
Hire Technicians Group Ltd	Chalk Hill House 8 Chalk Hill Watford Herts WD1 4BH UNITED KINGDOM	Tel: Fax: Email: Web:	+44 01923 252230 +44 01923 238799 sales@hiretech.biz www.hiretech.biz
Hiretech North America Inc	PO Box 1564 Cliffotn Park NY 12065 USA	Tel: Fax: Email: Web:	+1 518 348 1300 (800) 563 2472 +1 518 348 1400 (800) 465 5981 sales.usa@hiretech.biz www.hiretech.biz

page left blank

HIRETECH LIMITED WARRANTY

Hiretech warrants to the original purchaser that the Hiretech machine covered by this warranty is free from defects in workmanship and materials. Should any part fail in the period of two years from the date of the original purchase as a result of a defect, Hiretech will (at its option) either repair or replace the part without charge provided that the machine has been operated in accordance with the Owners Manual and Operating Instructions.

Should any such defect arise, please contact your nearest authorised repair agent. Standard service over land mainland freight costs will be refunded on warranty repairs at the sole discretion of Hiretech or the authorised repair agent. If the repair is non-warranty, the customer will be advised before any work is undertaken.

This warranty is the sole warranty by Hiretech and is in lieu of all other warranties express or implied and releases Hiretech from all other obligations and liabilities.

This warranty does not apply to normal wear and tear to the machine, and in particular does not cover normal wear parts such as mains cable, wheels, switches, relays, brushes, rubber parts, hoses and bearings. This warranty also does not cover, and Hiretech will not be liable for, excessive wear caused by abnormal use.

Hiretech will under no circumstances be liable for alterations to the machine or for damage caused by third persons, or for misuse or abuse of the machine, or damage caused during transportation. Repairs of the machine made or attempted by persons other than those specifically authorised by Hiretech shall render this warranty void and Hiretech will not be liable for such repairs, the cost of such repairs, or the consequences of such repairs. Where spare parts are used on the machine and they do not conform to Hiretech specifications, this warranty will be rendered void and Hiretech will not be liable.

Hiretech will not be liable for any indirect or consequential loss, damage, cost or expense of any kind whatever and however caused whether arising under contract, tort (including negligence) or otherwise including (without limitation) loss of production, loss of profits or contracts or of operating time or goodwill or anticipated savings.

*Every effort has been made to present all information in this publication accurately, however no liability is accepted for any inclusions or advice given or for omissions from this publication. Hiretech reserves the right to make changes or improvements to its products without prior notice. Hiretech® is a registered trademark of Hire Technicians Group Ltd., all other trademarks are the property of their respective owners.
© Hire Technicians Group Ltd.*



MANUFACTURED BY

HIRE TECHNICIANS GROUP LIMITED
CHALK HILL HOUSE, 8 CHALK HILL, WATFORD,
HERTS, WD19 4BH. UNITED KINGDOM

TEL: +44 (0)1923 332424 FAX: +44 (0)1923 332425
E-mail: sales@hiretech.biz Web: www.hiretech.biz