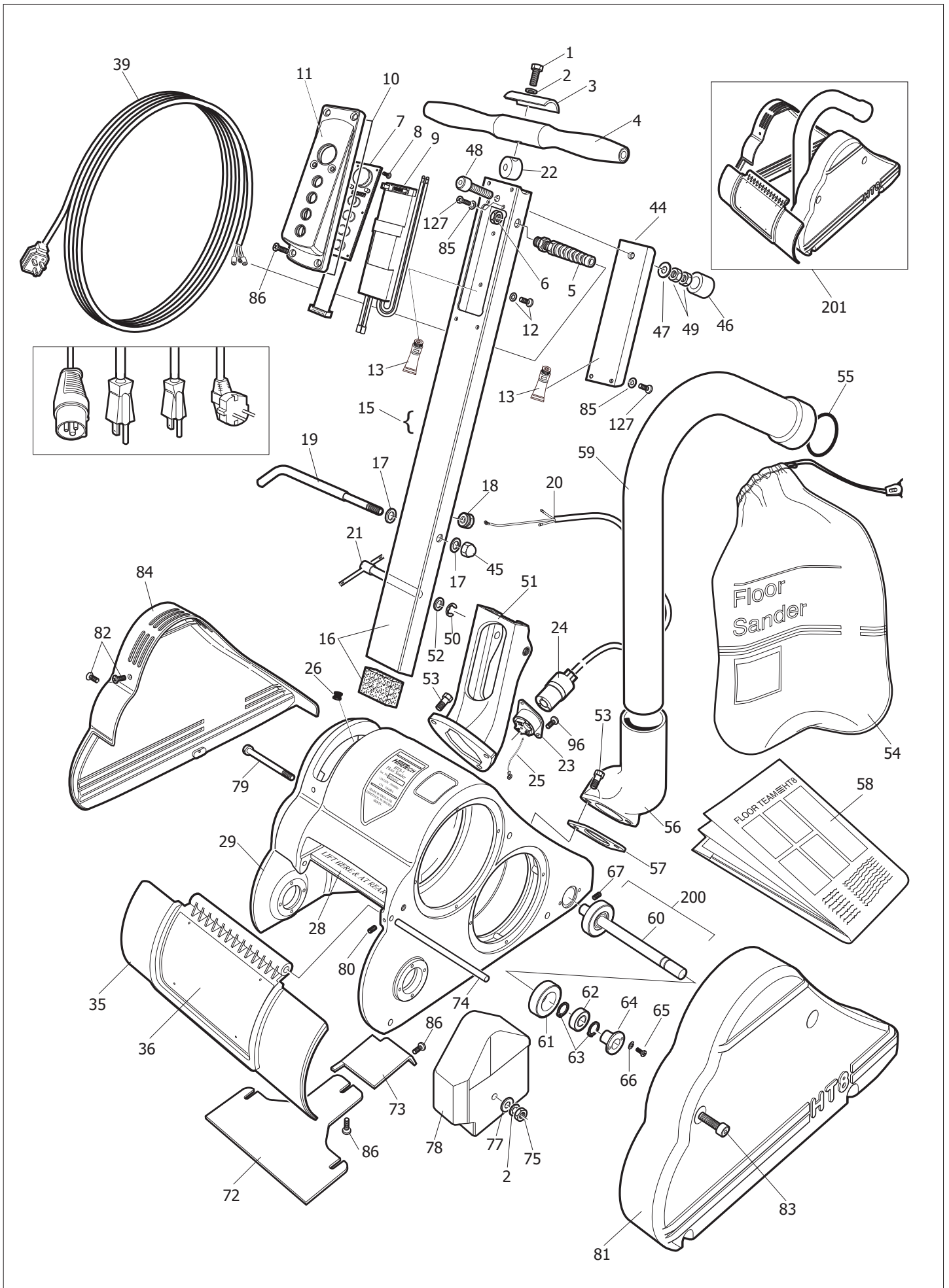


HIRETECH HT8-1.2 MULTI-SPEED DRUM FLOOR SANDER PARTS DRAWING



HIRETECH HT8-1.2 MULTI-SPEED DRUM FLOOR SANDER PARTS DRAWING

