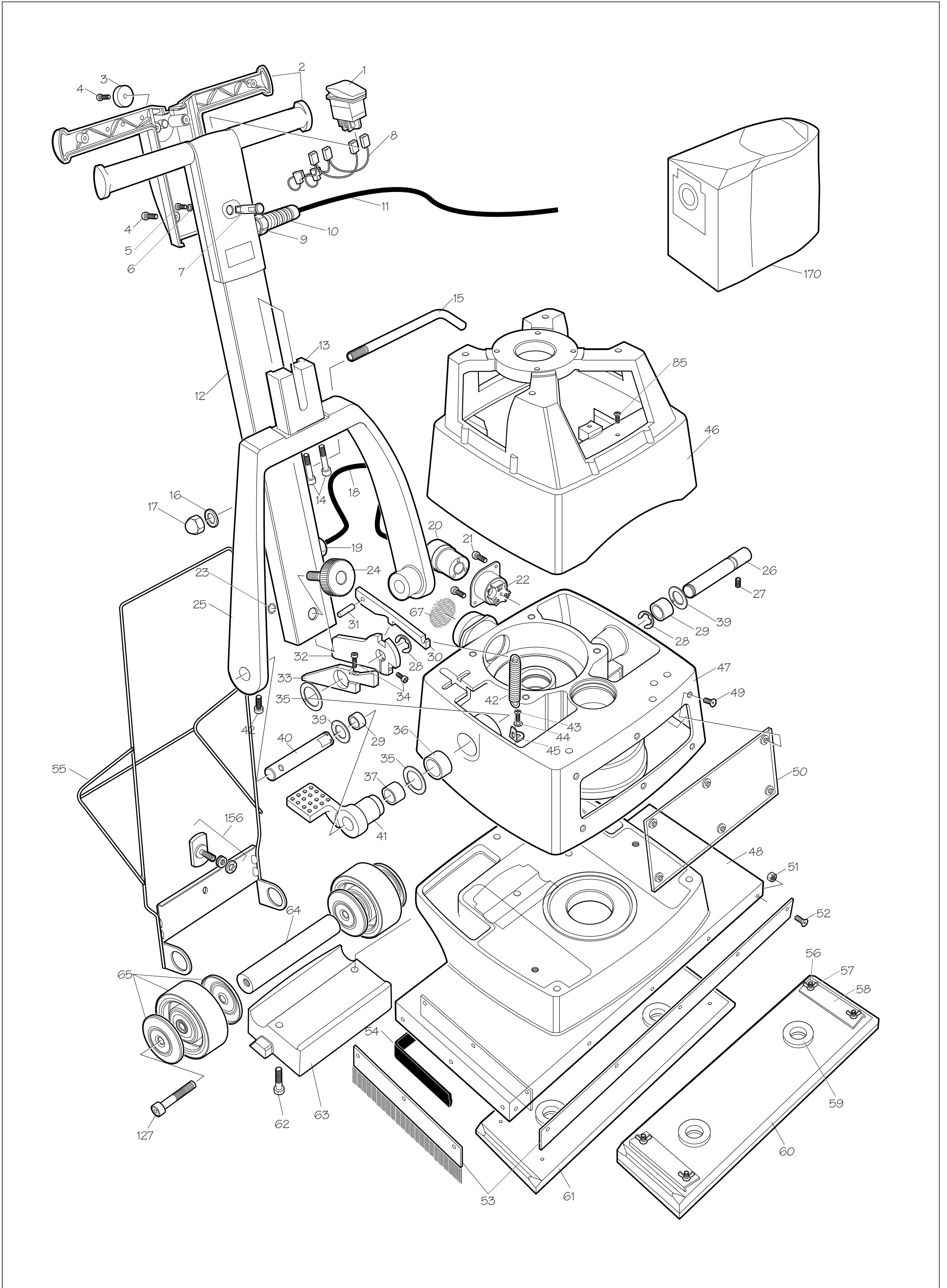


# HIRETECH HTF-2 FLOOR SANDER PARTS DRAWING (March 1998)



# HIRETECH HTF-2 FLOOR SANDER PARTS DRAWING (March 1998)

