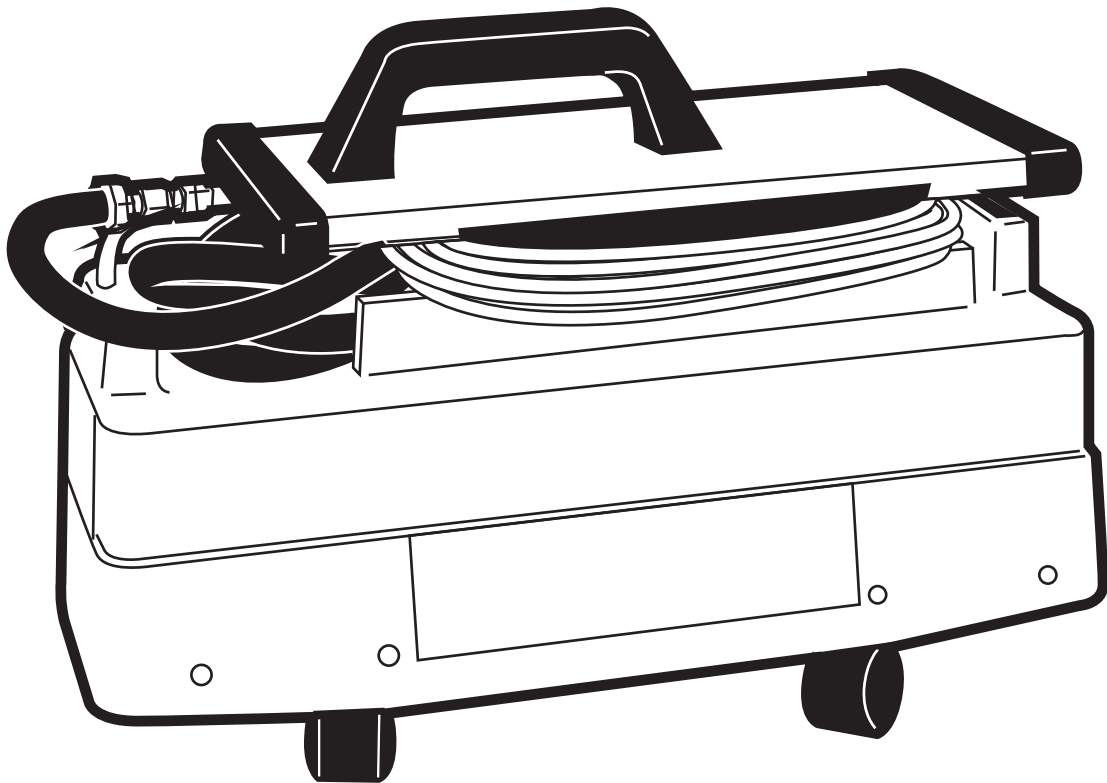


STEAM WALLPAPER STRIPPER



PRINTED IN THE UK

INSTRUCTIONS FOR REPLACING DOUBLE POLE CUT OUT WITH SINGLE POLE CUT OUT FOR MODEL HTW-5 220/240V

Fitting Replacement Cut Out (Single Pole)

PSTK: 007872
Model: HTW-5
Volatge 220/240v
from serial number 84264
110/120V (excl. North America)
from serial number 84258

All model HTW-5 Steam Wallpaper Strippers before the serial numbers detailed above where fitted with PSTK: 007873 Cut Out (double pole). This part has been replaced by PSTK: 007872 Cut Out (single pole). If your machine is fitted with the old type Cut Out (double pole) follow the instructions below for fitting the new type Cut Out (single pole). You can identify the type of Cut Out fitted by the diagrams opposite

Fitting must be carried out by suitably trained duty holder, or qualified electrician only. Owners and Operators Manuals are available for reference or download at;

<http://www.hiretech.biz/downloads/ownersmanuals.html>

Each manual contains a Parts Diagram and a Circuit Diagram for your assistance.

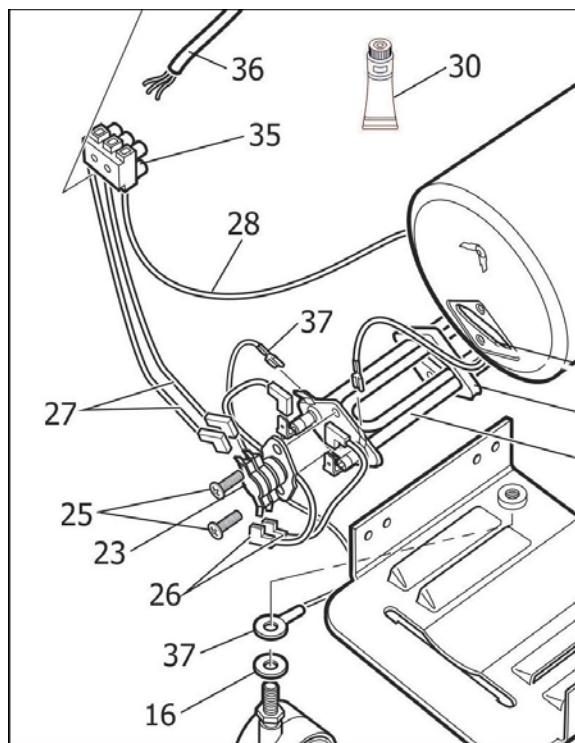
Fitting Instructions

- 1 Read The Manual – identify the component parts by looking at the Parts Diagram.
- 2 Remove the old Cut Out and both interconnecting leads (Ref 26 - Lead Cut Out Heater)
- 3 Discard one of the (Ref 26 - Lead Cut Out Heater) as only one will be needed.
- 4 Fit the replacement Cut Out using a little Heat Sink Compound (Ref: 30) between the Cut Out contact pad and the Heater Mounting Flange.
- 5 Fit one (Ref 26 - Lead Cut Out Heater) From one of the Cut Out Terminals to one of the Heater Terminals as shown in the diagram.
- 6 Identify the lead (Ref: 27 – Lead Connector Block Cut Out) that comes from the positive terminal of the connector block (brown) where the incoming mains lead is connected. Connect this lead to the other terminal of the Cut Out as shown in the diagram.
- 7 Connect the remaining lead (Ref: 27 – Lead Connector Block Cut Out) that comes from the negative terminal of the connector block to the remaining terminal of the Heater as shown in the diagram.
- 8 Connect any remaining leads and check with both the Parts Diagram and the Circuit Diagram

that all leads are correctly positioned.

- 9 Re-assemble all other components and carry out Electrical Safety Tests to comply with Class 2 Earthed Appliance Safety.
10. Carry out a functional test to ensure that the unit is functioning normally.

HTW-5 Cut Out (Double Pole)



HTW-5 Cut Out (Single Pole)

