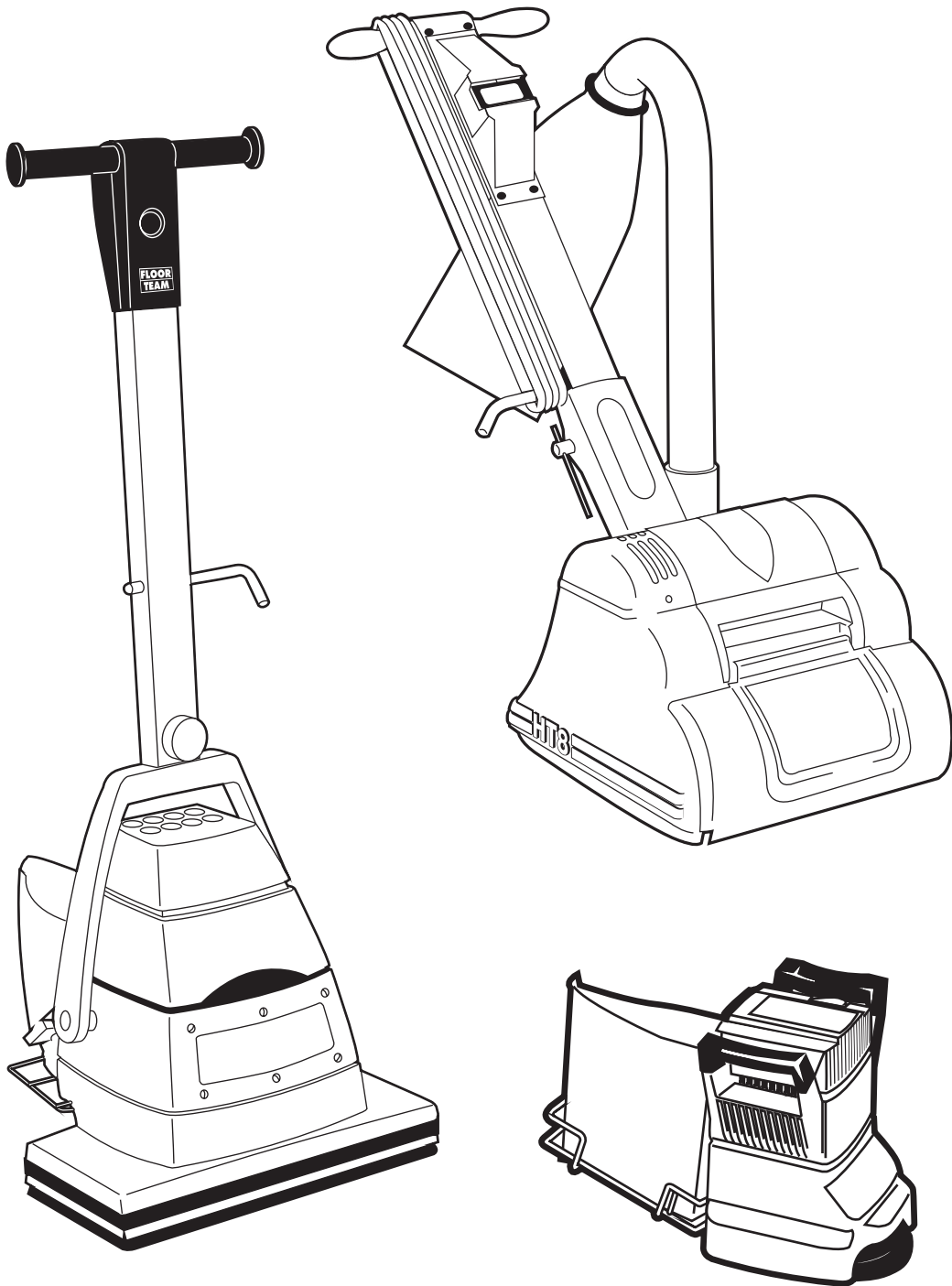


HIRETECH[®]

www.hiretech.biz

SERVICE BULLETIN

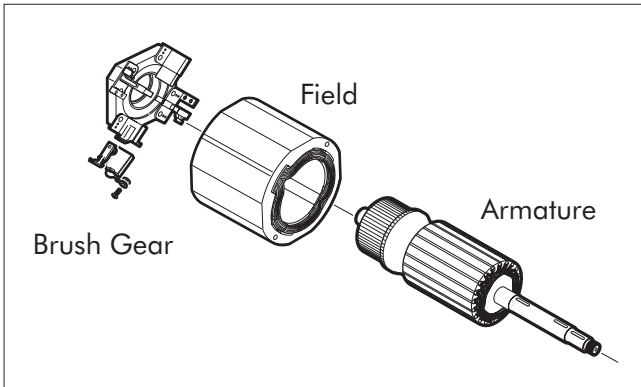


PRINTED IN THE UK

INSTRUCTIONS FOR IDENTIFYING CORRECT MOTOR REPLACEMENT PARTS FOR HIRETECH FLOOR SANDERS



When ordering a replacement Armature or Field assembly for the repair of a Hiretech Floor Sander it is extremely important to identify the actual fault that has caused the motor to fail and then to fit the correct parts.



The following questions must be answered before fitting replacement motor parts.

1. Are the other motor components damaged?

For example when fitting a replacement Armature you must be sure that the Brushes, Brush Gear and Field Coil Assembly are in good working order and that the Field Coil gives the correct readings. It is very common for a number of parts to be damaged when a motor fails. Brush or Brush Gear failure can be responsible for an Armature failure. When an Armature fails then the Field and Brush Gear can often be affected. Fitting a replacement armature to existing faulty components will simply result in another failure. Follow the instructions detailed in this Service Bulletin

2. Will this part correctly match the machine that is being repaired?
3. When repairing a Disc Floor Sander (Edger) if you intend to order a motor component separately you must first identify that the current component will suit the machine you are fitting it to, and that you have correctly detailed the voltage (see below).

NOTE: If you are ordering both an Armature and Field together then the pair are matched and will suit any model of Hiretech Floor Sander. (see below).

INSPECTING 2 MOTOR COMPONENTS

To inspect and check the motor parts correctly you will need all or some of the following test equipment.

Wheatstone Bridge Ohmmeter

Armature 'Growler'

Dielectric (Flash) Test Rig.

If you do not have this equipment you may find it available at a local motor repair shop where you will be able to have the components checked. Alternatively return the parts (freight paid) to your local agent for inspection. Charges may apply.

If you do not have access to the test equipment listed above replace both the Armature and Field as a pair. If you only replace one part it is possible that the parts may not be matched or the original part is in fact faulty and will cause another failure.

BRUSH GEAR (ALL MODELS)

Always fit a new set of motor brushes when repairing a machine. Check that the Brush Gear is clean and free from carbon tracking. Check for tracking by applying 1250v flash test between opposing brush holder pairs. Ensure that the brush springs are in good order and that the brushes move freely within the holders.

ARMATURES (ALL MODELS)

Check that the commutator and windings are in good visual order and check all commutator segments insulation at 1250v to the core. Check the resistance pattern as detailed in the table on the reverse of this Service Bulletin. Always fit new bearings during a motor repair. These bearings are included with Hiretech genuine spare part Armature kit and are a specialised high speed bearing - DO NOT USE ANY OTHER TYPE OF BEARING. These bearings may also be ordered separately.

FIELD COIL (ALL MODELS)

Check that the assembly is in good visual order with no damage to the coils or leads. Check continuity through the coil and flash test at 1250v between coil and core. See the table on the reverse of this Service Bulletin.

MOTOR PARTS COMPATIBILITY

Floor Sander Model HT8-1.2 (110/120 and 220/240 Volts)

The current motor parts will fit all models including models DU8, DU8X, DU8R, HT8-1 and HT8-1.2

Disc Floor Sander Model HT7-2 (110/120 Volts)

The current 110/120v Armature and Field will suit all models including Super 7, Super 7A, HT7-1, HT7-1.2, HT7-2

Disc Floor Sander Model HT7-2 (220/240 Volts)

The current 220/240 Volt Armature or Field will only fit

the following models.

HT7-1 Machines Serial No.1208 to 1940 and 5958 to 6071

HT7-1.2 machines Serial Nos.100 to 435

HT7-2 all machines.

Floor Sander Model HTF-2(110/120 and 220/240 Volts)

The current motor parts will fit the HTF-F

Note: The above compatibility list only applies when an Armature or Field is fitted independently. If ordered and fitted as a pair the two components are matched .

BRUSH GEAR PARTS COMPATIBILITY

Disc Floor Sander HT7-2(110/120 and 220/240 Volts)

The current brush gear (constant force spring) will only fit the HT7-2.

For earlier models use model specific brush gear.

ARMATURE TECHNICAL DATA

Product	Model	Voltage	Armature Resistance	
			Adjacent Segments	Spanned Segments
Floor Sander	DU8, DU8X, DU8R, HT8-1 and HT8-1.2	220/240	0.17 Ohms	0.11 Ohms
		110/120	0.060 Ohms	0.051 Ohms
Disc Floor Sander	Super 7, Super 7A, HT7-1, HT7-1.2, HT7-2	220/240	0.22 Ohms	0.79 Ohms
		110/120	0.065 Ohms	0.055 Ohms
Floor Sander	HTF-2	220/240	0.22 Ohms	0.79 Ohms
		110/120	0.065 Ohms	0.055 Ohms

FIELD COIL TECHNICAL DATA

Product	Model	Voltage	Field Total Resistance
Floor Sander	DU8, DU8X, DU8R, HT8-1 and HT8-1.2	220/240	1.195 to 1.320 Ohms
		110/120	0.306 to 0.338 Ohms
Disc Floor Sander	Super 7, Super 7A, HT7-1, HT7-1.2, HT7-2	220/240	1.930 to 2.350 Ohms
		110/120	0.370 to 0.410 Ohms
Floor Sander	HTF-2	220/240	1.930 to 2.350 Ohms
		110/120	0.370 to 0.410 Ohms

MOTOR SPARE PARTS LIST

Check compatibility before ordering.

Part No	Description	Voltage	Model
010330	Armature	110/120	HT7-2 HTF-2
010340	Armature	220/240	HT7-2 HTF-2
010240	Field	110/120	HT7-2 HTF-2
010250	Field	220/240	HT7-2 HTF-2
010170	Brush Block Assembly	ALL	HT7-2 HTF-2
E301307	Brush Block	ALL	Super 7 Super 7A HT7-1 HT7-1.2
164004	Brush Holder	ALL	Super 7 Super 7A HT7-1 HT7-1.2
168324	Spring Brush	ALL	Super 7 Super 7A HT7-1 HT7-1.2
E300904	Brush Motor	ALL	Super 7 Super 7A HT7-1 HT7-1.2
160408	Armature	110/120	DU8 DU8R HT8-1 HT8-1.2
160412	Armature	220/240	DU8 DU8R HT8-1 HT8-1.2
163104	Field	110/120	DU8 DU8R HT8-1 HT8-1.2
163112	Field	220/240	DU8 DU8R HT8-1 HT8-1.2
163789	Brush Block Assembly	ALL	DU8 DU8R HT8-1 HT8-1.2 HT7-2 HTF-2
010180	Brush Motor	ALL	DU8 DU8R HT8-1 HT8-1.2 HT7-2 HTF-2
020230	Spring Brush	ALL	DU8 DU8R HT8-1 HT8-1.2 HT7-2 HTF-2