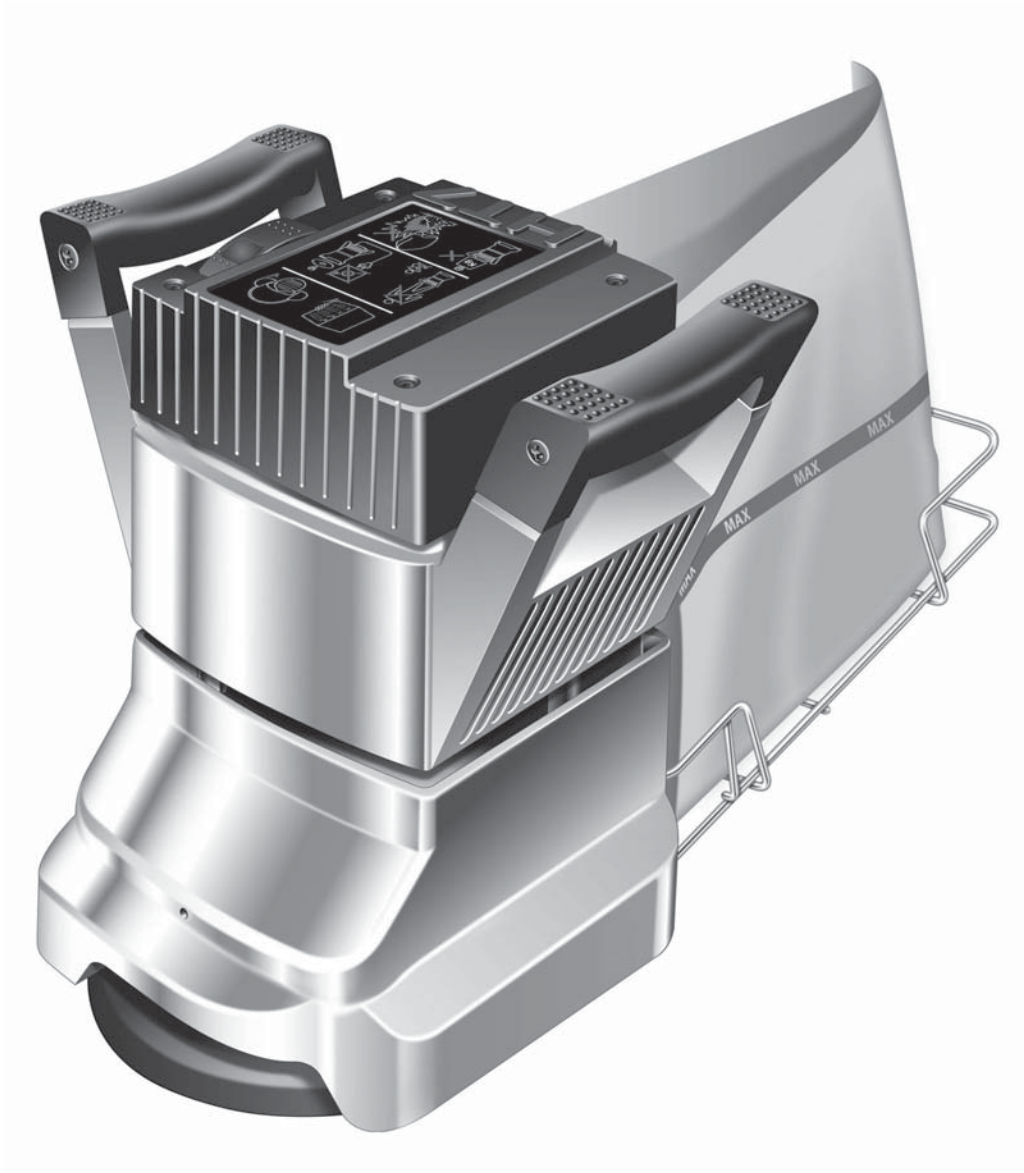


HT7 DISC FLOOR SANDER



CASTOR ASSEMBLY

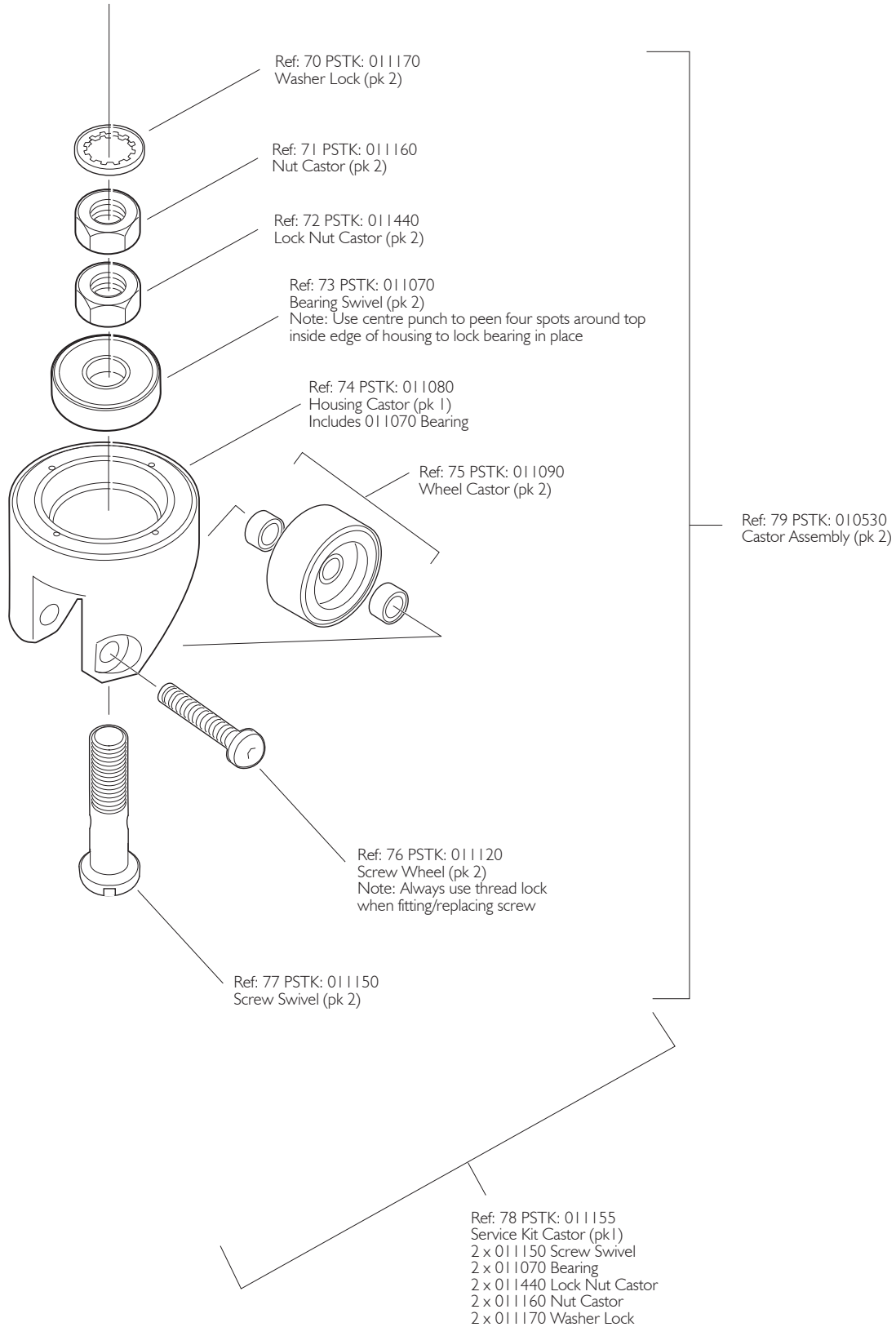
INTRODUCTION

The HT7 Disc Floor Sander Castor Assembly, previously only available as a complete assembly, can now be serviced and its individual parts are available as spare parts.

Ref: 77 Screw Swivel is a new specially machined 'axle' for better performance with Ref: 73 Bearing Swivel. This new part fits all Ref 74 Housing Castor currently in service.

The individual Castor Assembly parts are listed in the diagram below.

See Service Bulletin 010655-0 Instructions for the removal, fitting, setup and maintenance of the HT7 Sanding Pad when servicing and replacing the Castor Assembly.



Note: Always reset castors and check sanding pad contact area when servicing castors. See Owners Manual & Operating Instructions

