

HIRETECH HT8-1.2 MULTI-SPEED DRUM FLOOR SANDER PARTS LIST

Ref	PSTK	Description	Pack Qty	Notes
001	962308	Screw	1	
002	980652	Washer	2	
003	162019	Clamp Handle	1	
004	163907	Handle Cross	1	
005	101205	Strain Relief	1	
005	163691	Strain Relief (NA)	1	
006	101206	Nut Lock	1	
007	024520	Switch Multi-Speed	1	
008	024615	Screw	6	
009	024525	Controller Switch Multi-Speed 240 Volt	1	
009	024530	Controller Switch Multi-Speed 110 Volt	1	
010	163870	Gasket Switch Housing	1	
011	024510	Cover Switch Multi-Speed	1	
012	024620	Screw and Washer Set	6	
013	007633	Heat Sink Compound	1	
014	024515	Key Pad Switch	1	
015	020300	Multi-Speed Conversion Kit HT8/DU8 220/240 Volt (UK)	1	
015	020305	Multi-Speed Conversion Kit HT8/DU8 110 Volt (UK)	1	
015	020310	Multi-Speed Conversion Kit HT8/DU8 220 Volt (EEC)	1	
015	020315	Multi-Speed Conversion Kit HT8/DU8 240 Volt (AUS)	1	
015	020320	Multi-Speed Conversion Kit HT8/DU8 110 Volt (NA)	1	
016	169015	Tube Handle Multi-Speed	1	
017	980615	Washer	2	
018	101220	Strain Relief Handle Cable	1	
018	163804	Strain Relief Handle Cable (NA)	1	
019	164508	Hook Cable	1	
020	024560	Cable Handle Multi-Speed MS 240V (UK)	1	
020	024575	Cable Handle Multi-Speed 110 Volt (UK)	1	
020	024580	Cable Handle Multi-Speed (NA)	1	
021	960180	Clamp Handle Bracket	1	
022	960183	Bracket Handle Cross	1	
023	911045	Base Twist Lock	1	
024	911046	Body Twist Lock	1	
025	163867	Lead Earth Base Twist Lock	1	
026	163808	Grommet	1	
028	165103	Label 'Lift Here & At Rear' (Metal)	1	
029	163201	Main Frame	1	
030	167804	Shield Wall End	1	
031	962084	Screw	4	
034	962204	Screw	5	
035	163795	Guard Drum Assembly	1	
036	121252	Label Guard Drum	1	
039	024535	Cable Main Assembly Multi-Speed 240 Volt (UK)	1	
039	024540	Cable Main Assembly Multi-Speed 240 Volt (AUS)	1	
039	024545	Cable Main Assembly Multi-Speed 220 Volt (EEC)	1	
039	024550	Cable Main Assembly Multi-Speed 110 Volt (UK)	1	
039	024555	Cable Main Assembly Multi-Speed 110 Volt (NA)	1	
043	010200	Washer	4	
045	920148	Nut	1	
046	024600	Buffer Rubber	1	
047	980197	Washer	1	
048	024605	Bolt	1	
049	030850	Nut	2	
050	167308	Ring Retaining	1	

HIRETECH HT8-1.2 MULTI-SPEED DRUM FLOOR SANDER PARTS LIST

Ref	PSTK	Description	Pack Qty	Notes
051	160815	Bracket Handle Kit Complete	1	
052	980196	Washer	1	
053	962244	Bolt	5	
054	163796	Bag Dust Cloth	1	
055	163826	Retainer Dust Bag Disposable/Ring Seal	6	
056	160809	Bracket Exhaust	1	
057	163403	Gasket Exhaust	1	
058	07037	Disposable Paper Dust Bag HT8 Pack 2 (box 25)	25	
058	07039	Disposable Paper Dust Bag HT8 (box 50)	50	
059	163790	Tube Exhaust	1	
060	167708	Shaft Floor Roller	1	
061	169704	Roller Floor Assembly (with bearing)	2	
062	902567	Bearing (Fan & Floor Roller)	4	
063	467308	Ring Retaining	4	
064	020010	Support Floor Roller	1	Trim (dress) drum rubber after service or replacement, see See Owners Manual & Operating Instructions.
065	962139	Bolt	2	
066	980646	Washer	2	
067	962103	Screw	1	
072	167902	Shoe Intake	1	
073	163636	Cover Inlet	1	
074	167404	Rod Drum Guard	1	
075	920256	Nut	1	
077	980629	Washer	1	
078	169504	Weight Balance	1	
079	962409	Screw	1	
080	962170	Screw	1	
081	163791	Guard Belt	1	
082	163814	Screw	3	
083	163869	Screw Guard Belt	4	
084	163792	Guard Wall End	1	
085	980623	Washer	2	
086	962109	Screw	8	
087	167312	Ring Retaining	1	
088	164202	Housing Fan	1	
089	168203	Spacer Fan Bearing	1	
091	008212	Spacer Fan	1	
092	163004	Fan Intake	1	
093	162021	Clamp Bearing	2	
094	167608	Seal fan	1	
095	167210	Retainer Seal	1	
096	010210	Screw	4	
097	166906	Pulley Fan	2	
098	915028	Key	6	
099	167704	Shaft Fan	1	
100	010220	Screw and Washer Set	4	Washer not required when fitting Ref: 55 PSTK: 010630 Retainer
101	980648	Washer	2	
102	980626	Washer Lock	3	
103	920132	Nut	3	

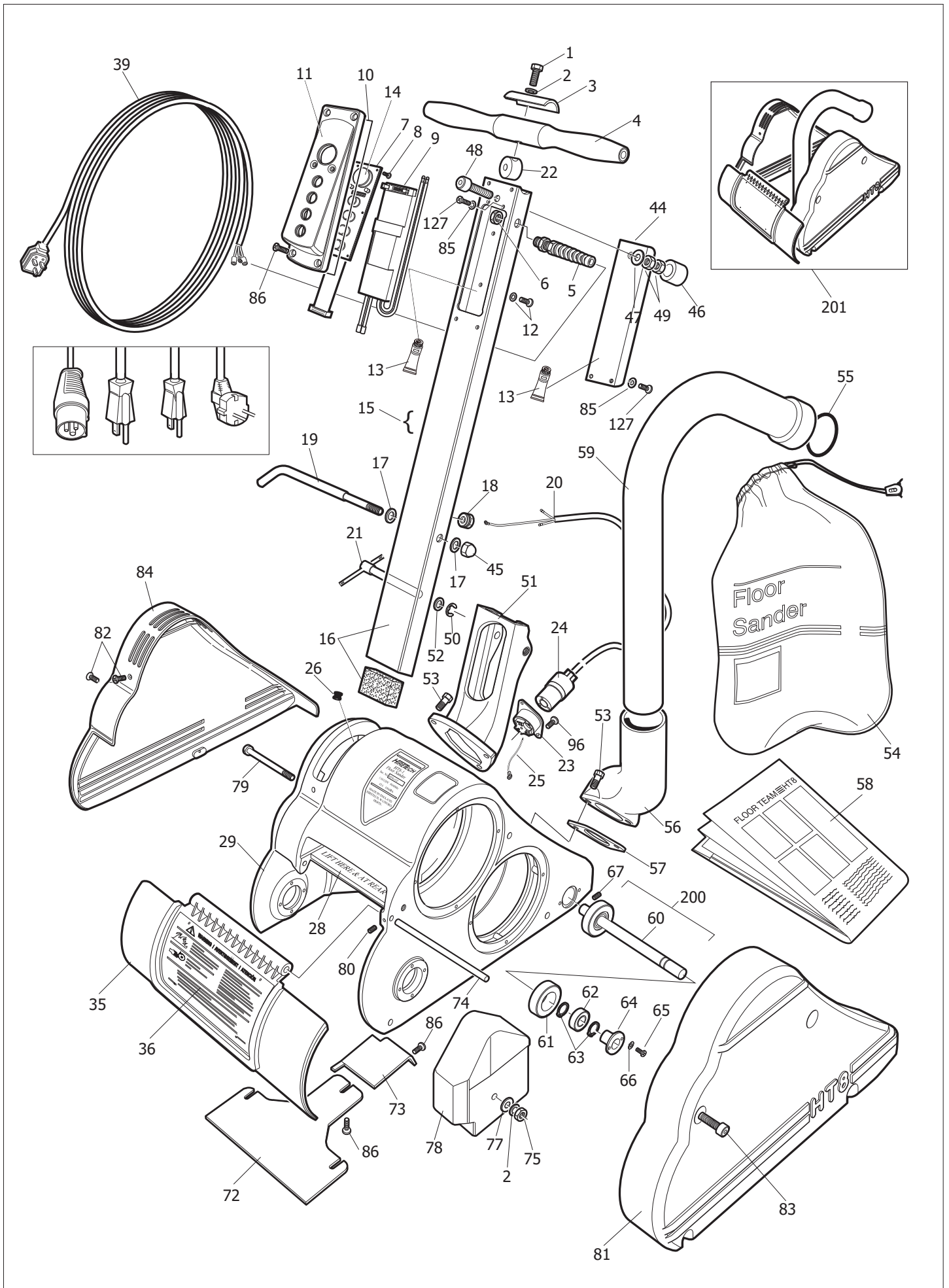
HIRETECH HT8-1.2 MULTI-SPEED DRUM FLOOR SANDER PARTS LIST

Ref	PSTK	Description	Pack Qty	Notes
104	010180	Brush Motor	4	Do not allow any one motor brush to wear below a minimum length of 12mm (1/2in). Always replace motor brushes as a set of 4
109	010230	Brush Spring	4	Replace brush springs every two (2) sets of motor brushes, always replace as a set of 4.
110	911662	Lead Motor Assembly	1	
111	167302	Ring Retaining	1	
113	168104	Sleeve	1	
114	163104	Field 110/120 Volt HT8	1	
114	163112	Field 220/240 Volt HT8	1	
115	962401	Screw	2	
116	166172	Baffle Motor	1	
117	167204	Retainer Baffle	1	
118	160408	Armature 110/120 Volt	1	Kit includes 1 x PSTK:163682 Bearing 1 x PSTK:163877 Retainer 3 x PSTK:000350 Key
118	160412	Armature 220/240 Volt	1	Kit includes 1 x PSTK:163682 Bearing 1 x PSTK:163877 Retainer 3 x PSTK:000350 Key
119	980004	Spacer	2	
121	163008	Fan Motor	1	
123	167802	Shield Pulley	1	
124	902550	Bearing Drum Shaft	2	
125	163682	Bearing Armature	2	
126	062003	Clamp Bearing	2	Note only 1 required on motor
127	962345	Screw	10	
128	168212	Spacer Motor Pulley	1	
129	163304	Flange Pulley	3	
130	166909	Pulley Motor	1	
140	163789	Brush Block Assembly	1	
142	962411	Screw	1	
143	162006	Clamp Bearing	1	
144	925113	Pin Drum Shaft	1	
145	161108	Bush Bearing	1	
146	168206	Spacer Bearing	1	
149	167716	Shaft Drum	1	
152	168209	Spacer Bearing	1	
159	166916	Pulley Drum	1	
164	903260	Belt Drum 3/4" (19mm) Wide	1	
165	903273	Belt Fan 1/2" (13mm) Wide	1	
167	162312	Drum Cover Kit	1	Do not allow drum rubber to wear below a minimum depth of 6mm (1/4in)
168	162532	Drum Assembly Complete	1	
169	100327	Screw	13	
170	163012	Assembly Fan Intake	1	
173	163668	Lifting Pin Assembly	1	
174	000920	Screw Clamp Bar (screwdriver slot)	2	
174	000920M	Screw Clamp Bar (screwdriver slot) Multi Pack	10	
174	163657	Screw Clamp Bar (coin slot)	2	
174	163657M	Screw Clamp Bar (coin slot) Multi Pack	10	

HIRETECH HT8-1.2 MULTI-SPEED DRUM FLOOR SANDER PARTS LIST

Ref	PSTK	Description	Pack Qty	Notes
175	020045	Clamp Bar Paper	1	Note: Do not allow PSTK: 162312 Drum Cover to wear below the minimum depth of 6mm (1/4in)
176	164607	Insert Drum Kit	3	
179	024800	Owners Manual & Operating Instructions Multi-Speed	1	Download from http://www.hiretech.biz/downloads/owners-manuals
200	101219	Floor Roller Assembly	1	
201	163827	Kit Moulded Guards	1	
201	163873	Kit Moulded Guards (excluding Tube Exhaust)	1	
250	011860	Service Tool - Extractor Seal	2	
250	024500	Test Lead	1	IMPORTANT: Read instructions before using test lead.
250	024502	Test Lead (NA)	1	IMPORTANT: Read instructions before using test lead.
250	100325	Service Tool - Clamp Drum Cover	1	
250	163822	Service Tool - Drum Insert Removal	1	
250	163857	Service Tool - Adjuster Floor Roller	1	
250	163865	Service Tool - Locking Drum	1	

HIRETECH HT8-1.2 MULTI-SPEED DRUM FLOOR SANDER PARTS DRAWING



HIRETECH HT8-1.2 MULTI-SPEED DRUM FLOOR SANDER PARTS DRAWING

