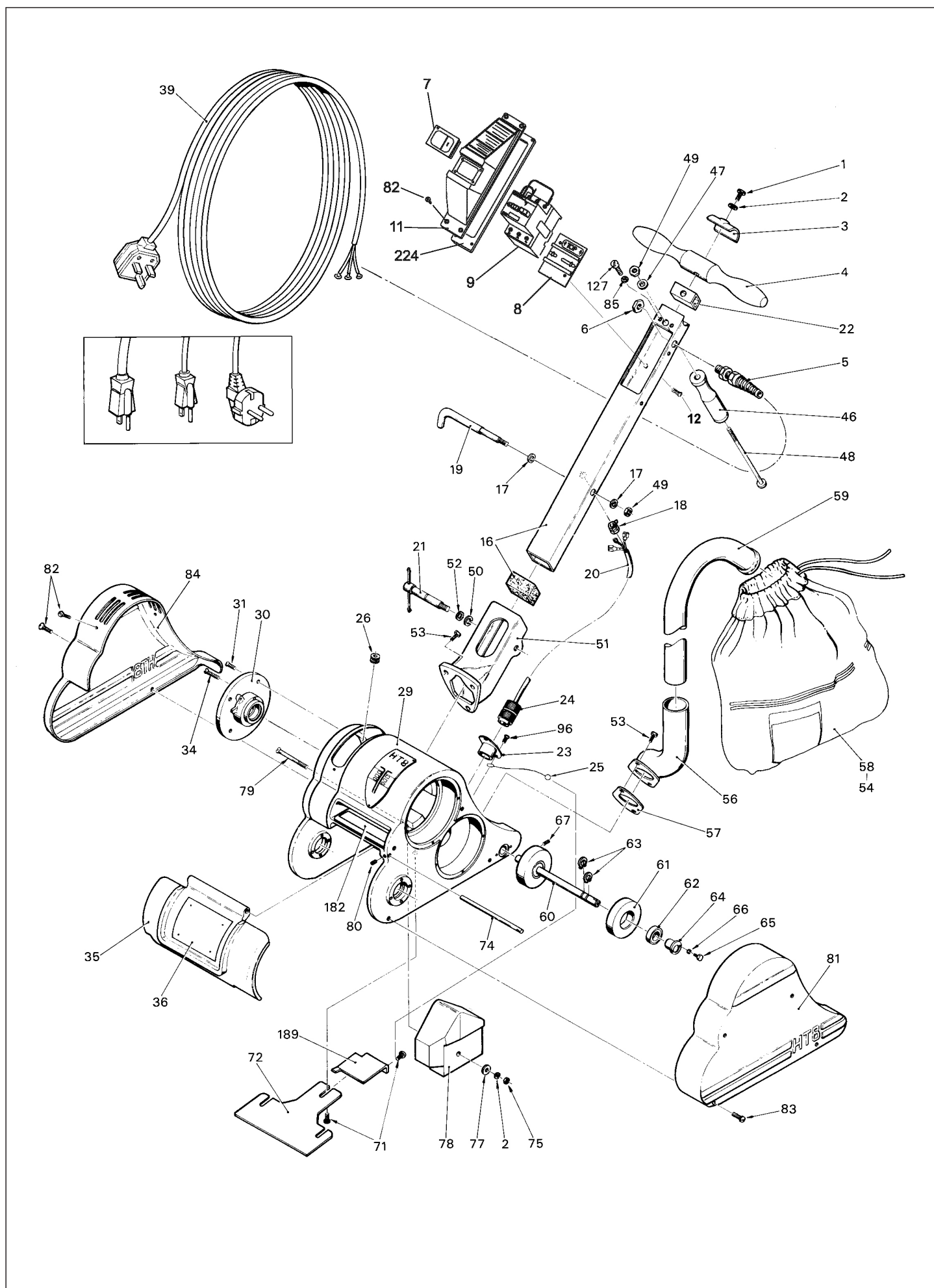


HIRETECH HT8-1.2 FLOOR SANDER PARTS DRAWING (September 1993)



HIRETECH HT8-1.2 FLOOR SANDER PARTS DRAWING (September 1993)

