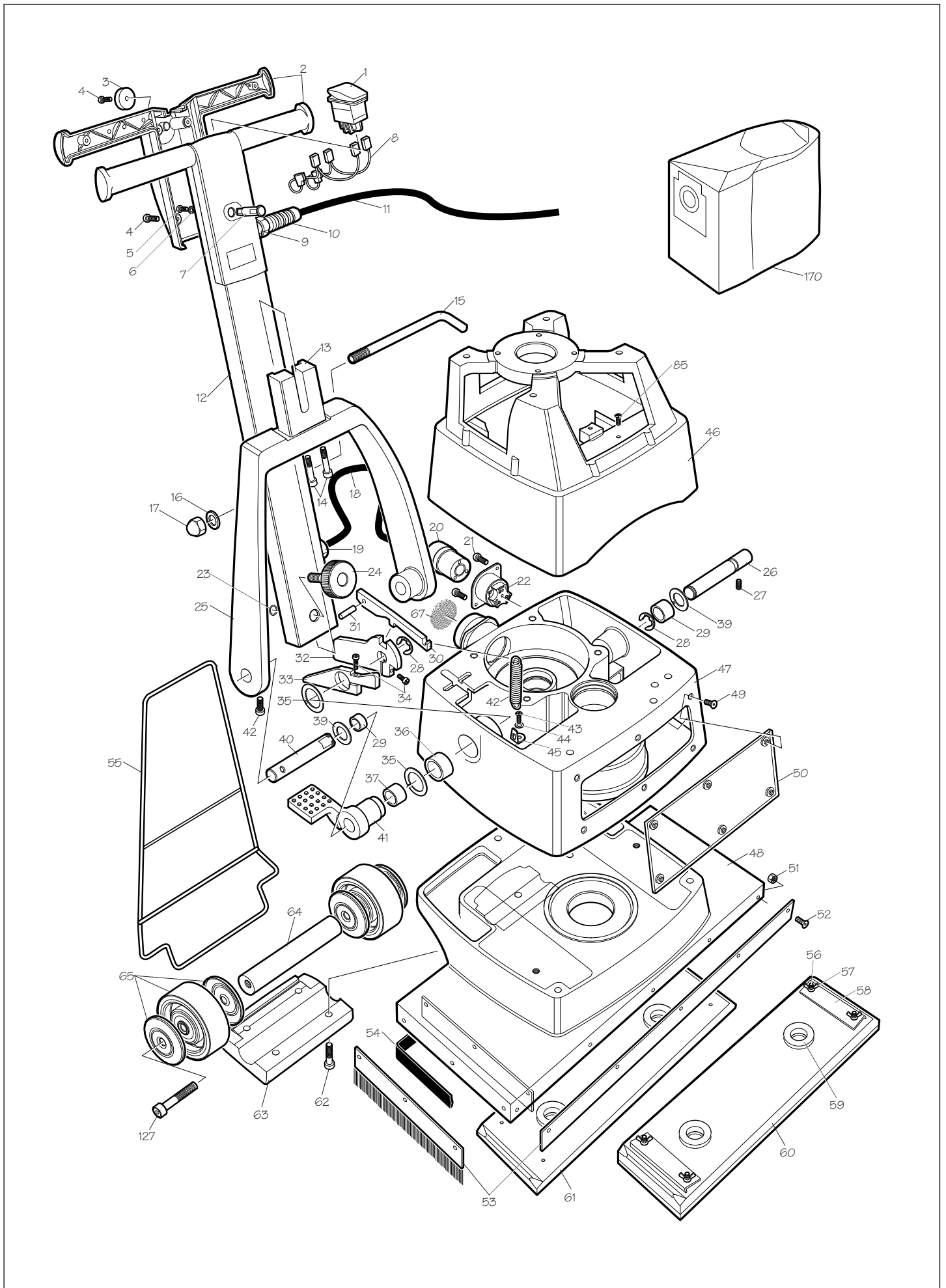


HIRETECH HTF-2 FLOOR SANDER PARTS DRAWING (January 1997)



HIRETECH HTF-2 FLOOR SANDER PARTS DRAWING (January 1997)

