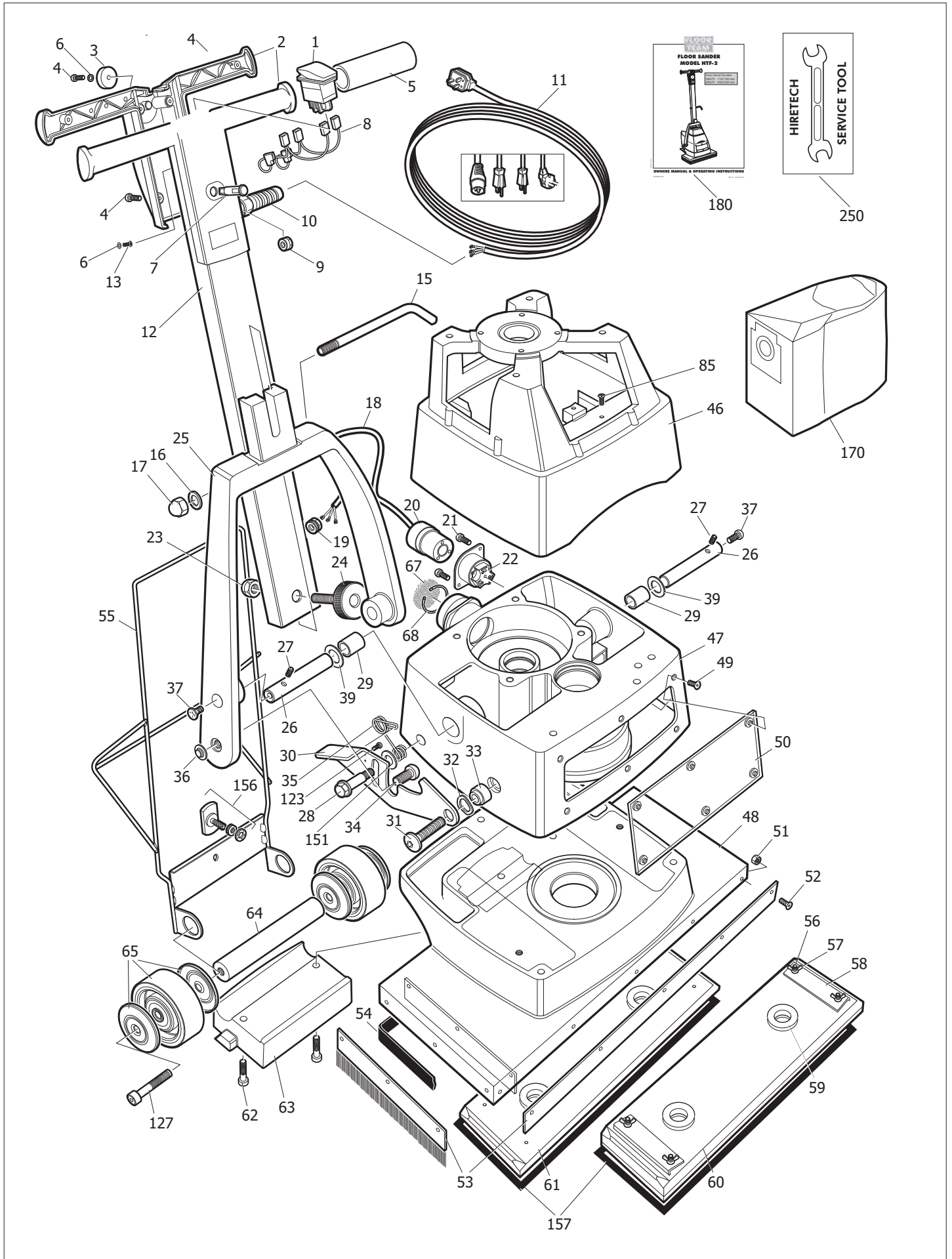


# HIRETECH HTF-2 FLOOR SANDER PARTS DRAWING (July 2003)



# HIRETECH HTF-2 FLOOR SANDER PARTS DRAWING (July 2003)

