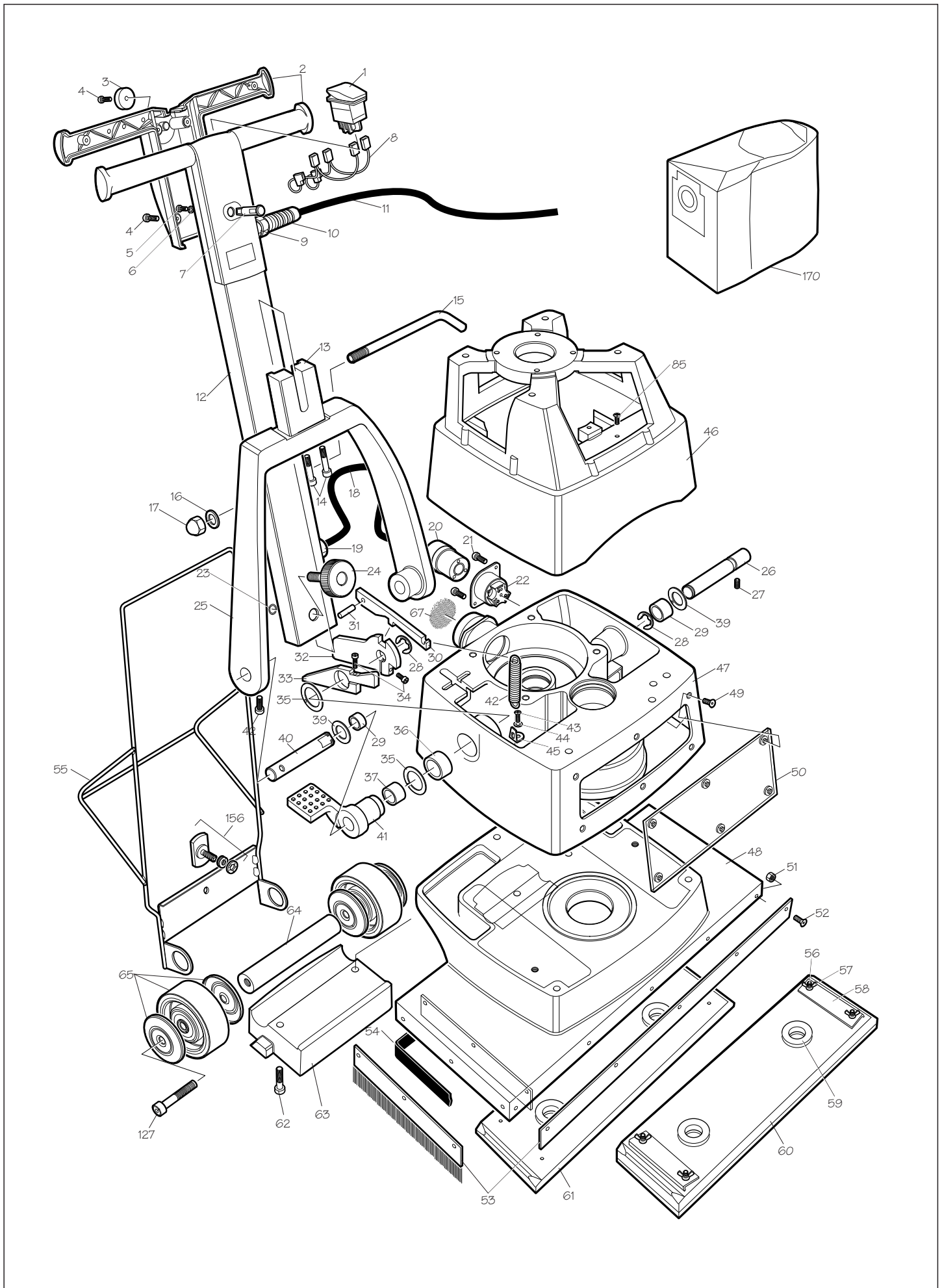


HIRETECH HTF-2 FLOOR SANDER PARTS DRAWING (March 1998)



HIRETECH HTF-2 FLOOR SANDER PARTS DRAWING (March 1998)

