

## HIRETECH HTF-2 ORBITAL FLOOR & DECK SANDER PARTS LIST

Ref	PSTK	Description	Pack Qty	Notes
001	011600	Switch 220/240 Volt (Bias Off)	1	
001	011610	Switch 110/120 Volt (Bias Off)	1	
002	030425	Housing Switch Assembly	1	
003	030630	Stop Rubber	1	
004	030920	Screw	7	
005	031870	Grip Hand	2	
006	010270	Washer Lock	5	
007	031950	Plug Blanking	1	
009	101206	Nut Lock	1	
010	101205	Strain Relief	1	
011	030660	Cable Main Assembly 110 Volt (NA)	1	
011	030670	Cable Main Assembly 220/240 Volt (UK)	1	
011	030680	Cable Main Assembly 110 Volt (UK)	1	
011	030690	Cable Main Assembly 220 Volt (EEC)	1	
011	030700	Cable Main Assembly 220/240V (AUS)	1	
012	030910	Tube Handle Assembly	1	
013	962345	Screw	10	
015	164508	Hook Cable	1	
016	980197	Washer	1	
017	920148	Nut	1	
018	030930	Handle Cable (NA)	1	
018	030940	Handle Cable	1	
018	031000	Handle Cable 110 Volt (UK)	1	
019	101220	Strain Relief Handle Cable	1	
019	163804	Strain Relief Handle Cable (NA)	1	
020	911046	Body Twist Lock	1	
021	010210	Screw	4	
022	911045	Base Twist Lock	1	
023	031910	Nut	1	
024	030450	Clamp Handle	1	
025	030042	Handle Frame	1	
026	031790	Pin Pivot	2	
027	031160	Screw	2	
028	031900	Bolt	1	
029	031800	Bush Bearing	2	
030	030222	Latch	1	
031	031810	Screw	1	
032	031890	Washer	1	
033	031880	Spacer Latch Pivot	1	
034	031820	Screw	1	
035	031840	Spring Latch Return	1	
036	031830	Cover Screw	1	
037	031850	Screw	2	
039	030550	Washer	2	
046	030030	Housing Motor	1	
047	030022	Housing Gear	1	
048	030010	Housing Lower	1	
049	031090	Screw	6	
050	030270	Cover/Window Lamp	1	
051	031130	Nut	16	
052	031120	Screw	16	
053	030360	Brush Set	1	
054	030350	Bumper	1	

## HIRETECH HTF-2 ORBITAL FLOOR & DECK SANDER PARTS LIST

Ref	PSTK	Description	Pack Qty	Notes
055	030300	Support Bag	1	Check serial number, fits machines from serial number 00328 220/240V and 00491 110/120V
056	031010	Bolt	4	
057	031020	Wing Nut	4	
058	030390	Clamp Abrasive	2	
059	030400	Bush	2	
061	030380	Sanding Block	1	
062	030790	Screw	4	
063	030060	Retainer Wheel	1	
064	030320	Housing Eccentric	1	
065	030070	Wheel	2	
067	031420	Exhaust Guard	1	
068	031430	Ring Retainer	1	
070	031310	Cap Sanding Weight HTF	1	
071	031320	Weight Moulding HTF With Cap	1	Read instructions before use download from <a href="http://hiretech.biz/support/service-bulletins">http://hiretech.biz/support/service-bulletins</a>
080	030990	Lead Motor	1	
081	010750	Brush Shunt	2	
082	010170	Brush Block Assembly	1	
083	010190	Screw	4	
084	010200	Washer	4	
086	010220	Screw and Washer Set	4	Washer not required when fitting Ref: 55 PSTK: 010630 Retainer
088	010180	Brush Motor	4	Do not allow any one motor brush to wear below a minimum length of 12mm (1/2in). Always replace motor brushes as a set of 4
089	010230	Brush Spring	4	Replace brush springs every two (2) sets of motor brushes, always replace as a set of 4.
090	032000	Field 110/120 Volt HTF	1	
090	032010	Field 220/240 Volt HTF	1	
091	010290	Baffle	1	
092	010300	Screw	3	
093	010260	Washer Clamp	2	
094	010280	Screw	2	
095	010600	Spring Load	1	
096	010320	Bearing	2	
097	010330	Armature 110/120 Volt	1	Fitted with bearing PSTK: 010320. Kit contains PSTK: 010420 x 1, PSTK: 000350 x 2, PSTK: 010320 x 1
097	010340	Armature 220/240 Volt	1	Fitted with bearing PSTK: 010320. Kit contains PSTK: 010420 x 1, PSTK: 000350 x 2, PSTK: 010320 x 1
098	010350	Key	3	
099	010360	Fan Motor	1	
100	010370	Gasket	1	
101	010380	Plate Exhaust	1	
102	010390	Fan Intake	1	

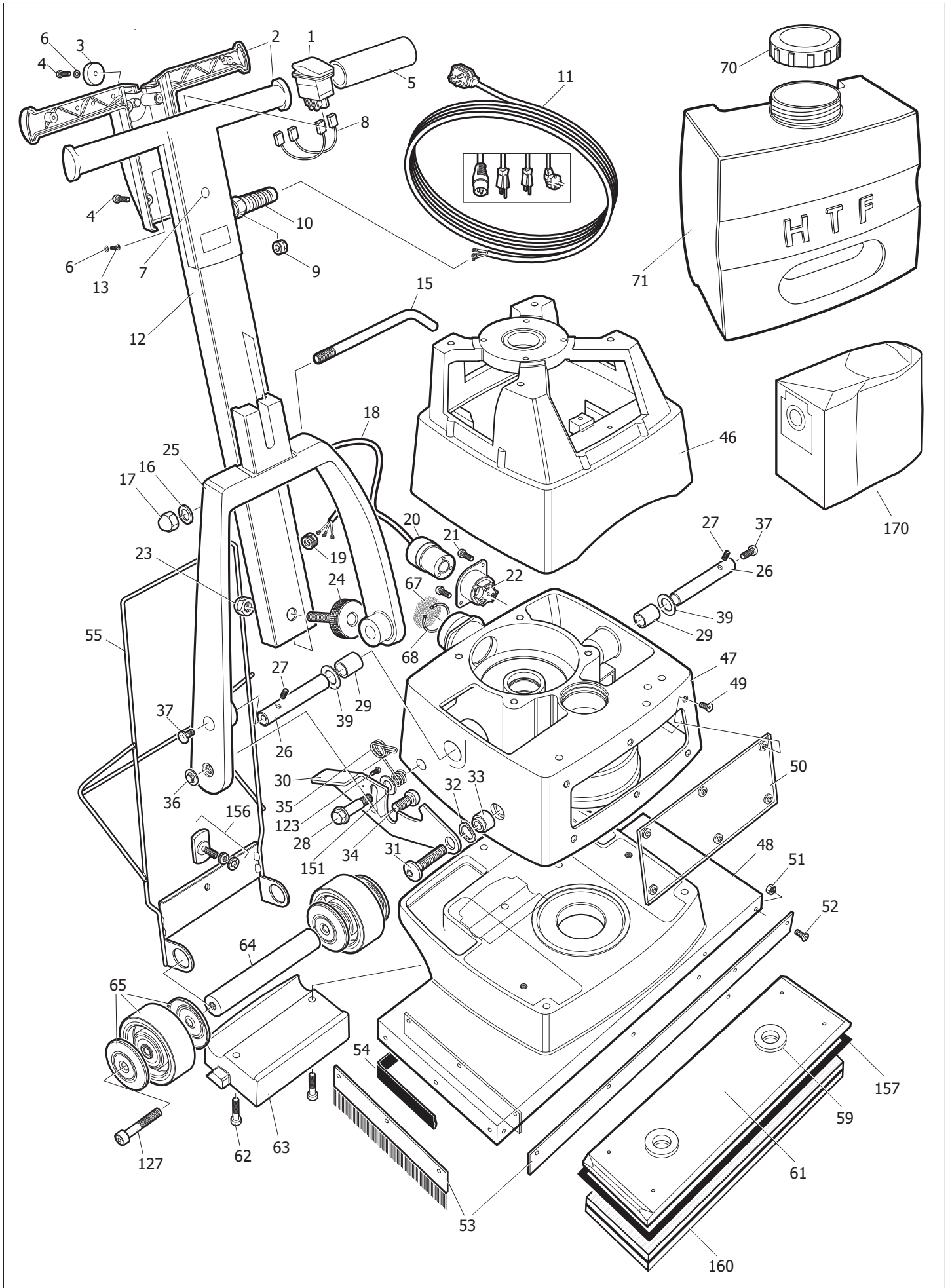
## HIRETECH HTF-2 ORBITAL FLOOR & DECK SANDER PARTS LIST

Ref	PSTK	Description	Pack Qty	Notes
103	010400	Ring Retainer	1	
104	010410	Spacer Bearing	1	
105	010420	Seal	1	
106	010430	Ring Retainer	1	
107	031520	Spacer Pulley	1	
108	030180	Pulley Drive	1	
110	010010	Screw	4	
111	030090	Cover Motor	1	
112	011840	Insert Bearing	1	
113	031280	Bush Insulator	1	
114	031070	Lead Ground (Earth)	1	
123	030760	Screw	3	
125	030740	Screw	2	
126	031450	Screw	4	
127	030820	Screw	7	
128	031300	Plug Bearing	1	
129	030480	Clip	2	
130	030490	Clip	2	
131	030470	Bearing	1	
132	030130	Shaft Drive	1	
133	030510	Key	1	
134	030150	Belt Drive	1	
135	030170	Bush Pulley	1	
136	030190	Pulley Driven	1	
137	031170	Screw	2	
138	030460	Bearing	3	
139	030500	Clip	1	
140	030120	Balance Weight	1	
141	030080	Holder Sanding Pad	1	
142	030410	Plate Cover	1	
143	030110	Bush Eccentric	1	
143	030115	Bush Eccentric	1	
144	030445	Cap Retaining	1	
144	030440	Cap Retaining	1	
145	030785	Screw	1	
145	030780	Screw	1	
146	030520	Spring Sanding Pad	2	
147	980629	Washer	1	
148	030830	Screw	2	
149	010680	Pin Cotter	1	
150	030850	Nut	2	
151	030860	Washer	3	
152	030100	Pin	2	
153	030600	Spring Plunger	2	
154	030840	Screw	2	
156	031650	Knob Assembly	1	
157	031370	Hook and Loop Pad	1	
160	01769	Floor Sander Backing/Abrasive Pad HTF (pack 20)	20	
170	07038	Disposable Paper Dust Bag HT7/HTF Pack 2 (box 25)	25	
170	07040	Disposable Paper Dust Bag HT7/HTF (box 50)	50	
180	031390	Owners Manual & Operating Instructions	1	Download from <a href="http://www.hiretech.biz/downloads/owners-manuals">http://www.hiretech.biz/downloads/owners-manuals</a>
250	031490	Service Tool - Lever Block Holder HTF	1	

## HIRETECH HTF-2 ORBITAL FLOOR & DECK SANDER PARTS LIST

Ref	PSTK	Description	Pack Qty	Notes
250	031610	Service Tool - Jacking Bolts HTF	1	
250	011740	Service Tool - Pinion & Pulley Fitting/Removal	1	

# HIRETECH HTF-2 ORBITAL FLOOR & DECK SANDER PARTS DRAWING



# HIRETECH HTF-2 ORBITAL FLOOR & DECK SANDER PARTS DRAWING

